

Data Sheet | Item Number: 2065-100/998-403

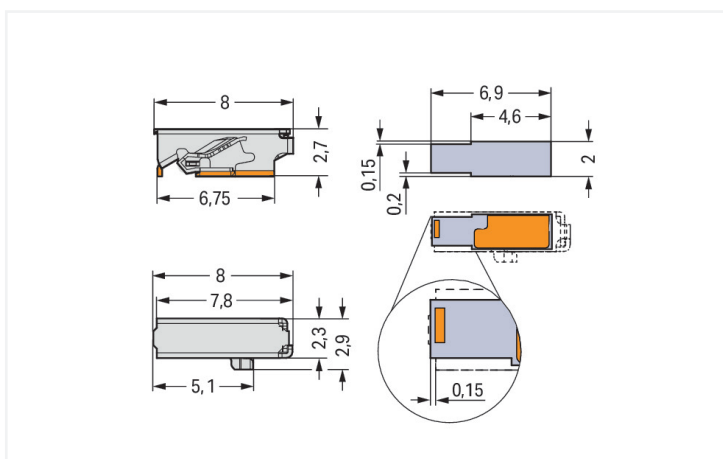
SMD PCB terminal block; push-button; 0.75 mm²; Pin spacing 6.5 mm; 1-pole; Push-in CAGE CLAMP®; in tape-and-reel packaging; Without housing; 0,75 mm²; silver-colored



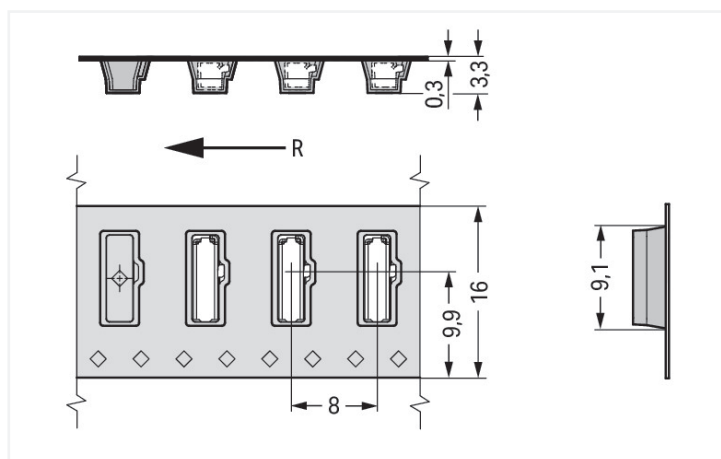
<https://www.wago.com/2065-100/998-403>



Color: ■ silver-colored



Dimensions in mm



Dimensions in mm
R = feed direction

- SMD PCB terminal block with Push-in CAGE CLAMP® connection technology and push-button
- Push-in termination of solid conductors
- Convenient termination/removal of fine-stranded conductors via push-button and operating tool
- Just 2.7 mm tall
- Available in tape-and-reel packaging for automated assembly
- Also available in a PUSH WIRE® variant without push-button (only for solid conductors)
- As if from a single mold: Miniaturized connection technology meets elegant design.
- Slim SMD metal contact enables space-saving and convenient conductor connection.

Notes

Safety information

Notice:

Terminal block without insulation housing! Protection against accidental contact must be provided at voltages higher than low voltages (e.g., SELV/PELV) for the relevant application.

Note

The ratings are based on an example pin spacing of 6.5 mm. The layout must meet the requirements of the insulation coordination standard EN/IEC 60664-1 and applicable end product standards.

Electrical data

Ratings per	IEC/EN 60664-1			Approvals per	UL 1977
	III	III	II		
Overvoltage category	III	III	II	Rated voltage	600 V
Pollution degree	3	2	2	Rated current	9 A
Nominal voltage	-	320 V	630 V		
Rated surge voltage	-	4 kV	4 kV		
Rated current	-	9 A	9 A		

Connection data

Connection points	1	Connection 1	
Total number of potentials	1	Connection technology	Push-in CAGE CLAMP®
Number of connection types	1	Actuation type	Push-button
Number of levels	1	Solid conductor	0.2 ... 0.75 mm ² / 24 ... 18 AWG
		Fine-stranded conductor	0.2 ... 0.75 mm ² / 24 ... 18 AWG
		Strip length	7.5 ... 9.5 mm / 0.3 ... 0.37 inches
		Conductor connection direction to PCB	0°
		Pole number	1

Physical data

Pin spacing	6.5 mm / 0.256 inches
Width	2.9 mm / 0.114 inches
Height	2.7 mm / 0.106 inches
Depth	8 mm / 0.315 inches
Reel diameter of tape-and-reel packaging	330 mm
Tape width	16 mm

PCB contact

PCB contact	SMD
Solder pin arrangement	over the entire terminal strip (in-line)
Number of solder pins per potential	1

Material data

Note (material data)	Information on material specifications can be found here
Color	silver-colored
Clamping spring material	Chrome-nickel spring steel (CrNi)
Contact material	Copper alloy
Contact plating	Tin
Fire load	0 MJ
Weight	0.1 g

Environmental requirements

Limit temperature range	-60 ... +120 °C
-------------------------	-----------------

Commercial data

eCl@ss 10.0	27-14-11-06
eCl@ss 9.0	27-14-11-06
ETIM 8.0	EC001284
ETIM 7.0	EC001284
PU (SPU)	31800 (2650) pcs
Packaging type	Box
Country of origin	CH
GTIN	4055143665469
Customs tariff number	85369010000

Environmental Product Compliance

RoHS Compliance Status	Compliant, No Exemption
------------------------	-------------------------

Approvals / Certificates

General approvals



Approval	Standard	Certificate Name
CB DEKRA Certification B.V.	EN 60947-7-4	NL-63702
CB DEKRA Certification B.V.	IEC 60998	NL-63703
KEMA/KEUR DEKRA Certification B.V.	EN 60947-7-4	71-112513
KEMA/KEUR DEKRA Certification B.V.	EN 60998	71-112514

Declarations of conformity and manufacturer's declarations

Approval	Standard	Certificate Name
EU-Declaration of Conformity WAGO GmbH & Co. KG	-	-
UK-Declaration of Conformity WAGO GmbH & Co. KG	-	-

1 Compatible Products

1.1 Optional Accessories

1.1.1 Board-to-board link

1.1.1.1 Board-to-board link



Item No.: 2065-131

Board-to-Board Link; Pin spacing 6.5 mm;
Length: 15.6 mm; silver-colored

Item No.: 2065-133

Board-to-Board Link; Pin spacing 6.5 mm;
Length: 17.6 mm; silver-colored

1.1.2 Tool

1.1.2.1 Operating tool

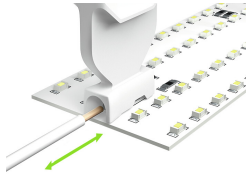


Item No.: 2065-189

Operating tool; made of insulating material; white

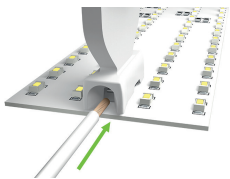
Installation Notes

Conductor termination



Push-in CAGE CLAMP® variant: Insert fine-stranded conductors and remove all conductor types via operating tool. Solid conductors can also be terminated by simply pushing them in.

Conductor termination



The 2065-189 Operating Tool's funneled conductor entry securely guides all conductor types into the Push-in CAGE CLAMP®.