

## Specification

Customer: \_\_\_\_\_

Product Material No.: \_\_\_\_\_

Model No.: LF-GLD035YS

Version: V1.0

### Customer Approval

Checked by	Reviewed by	Approved by

### LIFUD Approval

Edited by	Reviewed by	Approved by
Huang Benliang	Li Long	Zhong Chunlin



### Full Model Numbers Required by the Customer

Full model No.		Full model No.	
Full model No.		Full model No.	

### E.C. List

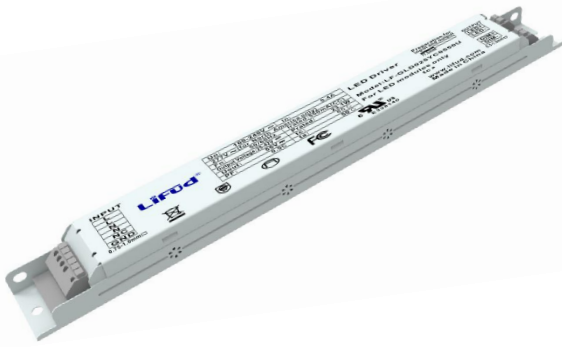
Version	Description of Change	Engineer	Date
1.0	formal version	Huang Benliang	2018-11-16

### Lifud Technology Co., Ltd.

Building F, Kutto Industrial Park, No.26 Xinhe Road, Xinqiao Street, Bao'an District, Shenzhen, China 518104  
[www.lifud.com](http://www.lifud.com) | Technical support: +86 755 83739299 (Office hour: 08:30-18:00 on working days)

Model	LF-GLD035YS	Series	Dimmable & Flicker-free Series for Tri-proof Light
-------	-------------	--------	--

## 1. Product Description



**Isolated LED Driver for Class I LED Luminaire**

**Category:** AC100-277V, dimmable, flicker-free

**Property:** 0-10V/PWM/Rx dim, active PFC, high PF, low THD

**Application:** indoor office lighting, decorative lighting, commercial lighting & residential lighting. It's specially designed for tri-proof light.

**Warranty:** 5 years (Please refer to the warranty condition.)

**Certificate:** UL, FCC



## 2. Technical Data

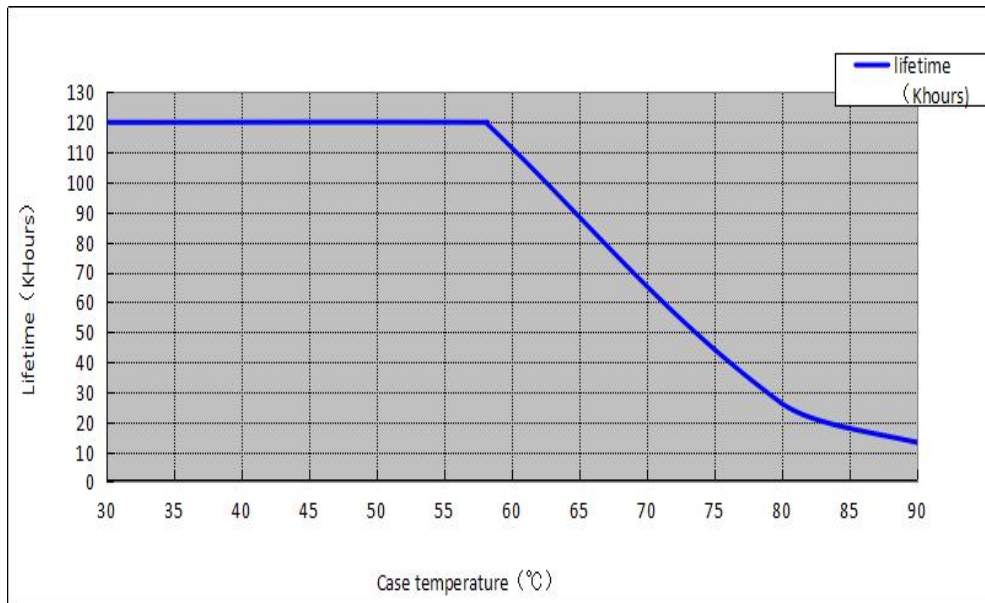
	Full Model Number	LF-GLD03SYS 0600U	LF-GLD03SYS 0650U	LF-GLD03SYS 0700U	LF-GLD03SYS 0750U	LF-GLD03SYS 0800U	
<b>Output</b>	Output Voltage	25-42Vdc					
	Output Current	600mA	650mA	700mA	750mA	800mA	
	Ripple Voltage	< 1V					
	Current Tolerance	±5%					
	Start-up Time	100Vac<1S, 230Vac <0.5S, 277Vac <0.5S					
	Temperature Drift	±10%					
	Line Regulation	±5%					
<b>Input</b>	Line Regulation	±5%					
	Rated Input Voltage	100-277Vac (Voltage Limit: 90-305Vac)					
	Frequency	47Hz-63Hz					
	Input Current	0.50A Max					
	Power Factor		≥0.95/120Vac	≥0.95/120Vac	≥0.95/120Vac	≥0.95/120Vac	≥0.95/120Vac
			≥0.9/230Vac	≥0.9/230Vac	≥0.9/230Vac	≥0.9/230Vac	≥0.9/230Vac
			≥0.9/277Vac	≥0.9/277Vac	≥0.9/277Vac	≥0.9/277Vac	≥0.9/277Vac
	THD	≤20%					
	Efficiency		≥85%/120Vac	≥85%/120Vac	≥85%/120Vac	≥85%/120Vac	≥85%/120Vac
			≥85%/230Vac	≥85%/230Vac	≥85%/230Vac	≥85%/230Vac	≥85%/230Vac
		≥85%/277Vac	≥85%/277Vac	≥85%/277Vac	≥85%/277Vac	≥85%/277Vac	
In-Rush Current	I<60A/350uS@230Vac						
Stand-by Power	≤1.0W @120Vac, @230Vac or @ 277Vac						
<b>Protective Feature</b>	Open Circuit Protection	Open circuit voltage ≤ 55Vdc					
	Short Circuit Protection	Hiccup mode (auto-recovery)					
<b>Environment Condition</b>	Working Temperature	-30°C ~ +50°C					
	Working Humidity	20-90%RH (no condensation)					
	Storage Temperature/Humidity	-40°C ~ +80°C (6 months under the class I environment); 10-90%RH (no condensation)					
	Atmospheric Pressure	86-106KPa					
<b>Safety &amp; Norm</b>	Certificate	UL, FCC					
	Hi-Pot Test	I/P-O/P: 3.75KVac, <5mA, 60S; I/P-FG: 1.6KVac, <5mA 60S; O/P-FG: 0.5KVac, <5mA 60S					
	Insulation Resistance	I/P-O/P, I/P-FG, O/P-FG: 500VDC, >100MΩ					
	Surge Rating	Comply with IEC61000-4-5 (L-N:1KV, L/N-PG:2KV)					
	EMI	FCC Part 15 Class B					
	EMS	Comply with EN61000-4-2,3,4,5,6,8,11; EN61547					
<b>Others</b>	Packing (Weight)	Carton size: 39 x 29 x 21 cm (L*W*H); Net weight: 159g±5%/pc; 8.4KG±5%/ctn; 48pcs/ctn					
	IP Rating	\					
	Warranty	5 years (Max. case temperature must not exceed 73°C)					

<b>Model</b>	LF-GLD03SYS	<b>Series</b>	Dimmable & Flicker-free Series for Tri-proof Light
--------------	-------------	---------------	--

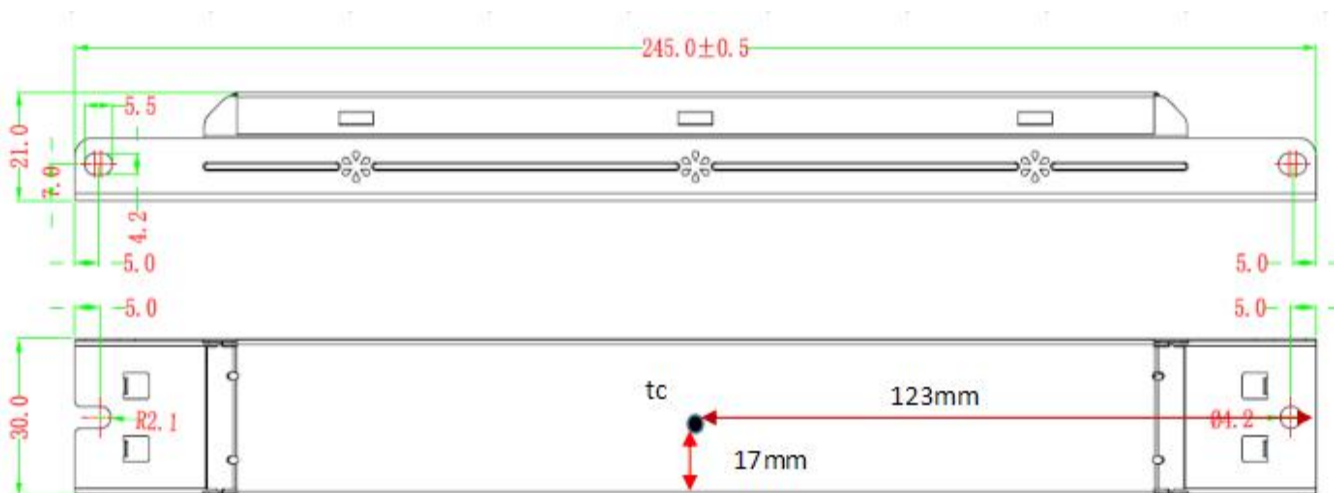
<b>Testing Equipment</b>	AC power source: CHROMA6530, digital power meter: CHROMA66202, Oscilloscope: Tektronix DPO3014, DC electronic load: M9712B, LED board, constant temperature and humidity chamber, lightning surge generator: Everfine EMS61000-5B, rapid group pulse generator: Everfine EMS61000-4A, spectroanalyzer: KH3935, hi-pot tester: TH9201B, stroboscope (flicker index tester) 60N-01, etc.
<b>Testing Condition</b>	If there's no special statement, the parameters above, including the power factor, THD and efficiency, are the test results under the ambient temperature 25°C and humidity 50%, input 120Vac, 230Vac, 277Vac and 90% load.
<b>Additional Remark</b>	<ol style="list-style-type: none"> <li>1. It is recommended that customer should install an over &amp; under voltage protection and surge protection device to ensure safety before connecting to electricity.</li> <li>2. The PC cover, housing, end caps and other parts of the LED driver inside the LED luminaire must conform to UL94 V-0 flammability standard or above.</li> <li>3. As an accessory, the LED driver is not the only factor determining the EMC performance of the LED luminaire. The structure and the wiring of the light fixture are also relevant. Thus it's strongly recommended the LED luminaire manufacturer should re-confirm the EMC of the whole LED luminaire.</li> </ol>

### 3. Product Lifetime Curve

The curve below illustrates the driver's lifetime data when the LED driver's Max. case temperature reaches 40°C, 50°C, 60°C, 70°C and 80°C.

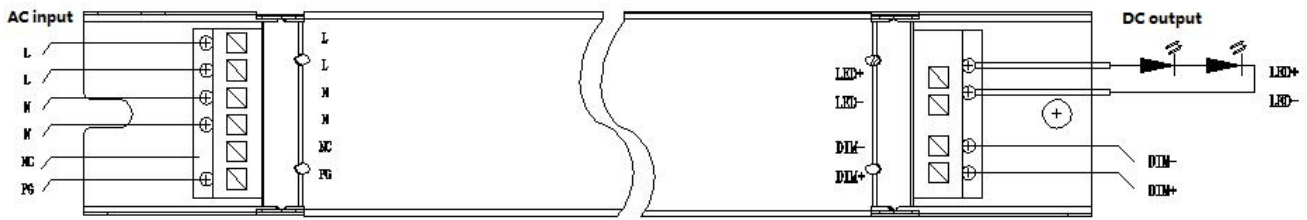


### 4. Dimensional Drawing with Tc Point (Unit: mm; Tolerance: +0.5mm): 245\*30\*21mm



<b>Model</b>	LF-GLD035YS	<b>Series</b>	Dimmable & Flicker-free Series for Tri-proof Light
--------------	-------------	---------------	--

### 5. Wiring Diagram:



### 6. Dimming

Three dimming modes in one driver. The test data below are for your reference only.

1) 0-10V dim: dimming range 0%~100%. (Tested with LIFUD 0-10V dimmer.)

Dimming Voltage	0-0.3V	0.5V	1V	2V	3V	4V	5V	6V	7V	8V	9V	10V	OPEN
Percentage of Rated Current	OFF	ON	13%	24%	35%	46%	57%	69%	80%	92%	99%	99%	95%-105%

2) PWM dim: dimming range 0%~100%. Voltage amplitude: 10V. The frequency of PWM signal is 300Hz~3KHz. (Tested with PWM signal generator: RIGOL.)

PWM Signal	0-6%	7%	10%	20%	30%	40%	50%	60%	70%	80%	90%	100%	OPEN
Percentage of Rated Current	OFF	ON	12%	25%	36%	47%	58%	69%	80%	91%	99%	99%	95%-105%

3) Resistance dim: dimming range 0%~100%. Resistance range: 10kΩ~100kΩ. (Tested with LEVITON dimmer.)

Rx Range	0-5K	6K	10K	20K	30K	40K	50K	60K	70K	80K	90K	100K	OPEN
Percentage of Rated Current	OFF	ON	13%	24%	35%	45%	56%	67%	78%	89%	99%	99%	95%-105%

Remark: The "Iout percentage" above are typical values.