

EXAMINED BY :	EMERGING DISPLAY TECHNOLOGIES CORPORATION	FILE NO . CAS-0007735
<i>Kevin Kuo</i>		ISSUE : MAY.17, 2013
APPROVED BY :		TOTAL PAGE : 30
<i>David Chang</i>		VERSION : 2

CUSTOMER ACCEPTANCE SPECIFICATIONS

MODEL NO. :

E T M 0 5 0 0 0 0 B D H 6

(GP)

FOR MESSRS : \_\_\_\_\_

CUSTOMER'S APPROVAL

DATE : \_\_\_\_\_

BY : \_\_\_\_\_

EMERGING DISPLAY  
TECHNOLOGIES CORPORATION

MODEL NO.	VERSION	PAGE
ETM050000BDH6	2	0-1

RECORDS OF REVISION	DOC . FIRST ISSUE	APR.26, 2013
---------------------	-------------------	--------------

DATE	REVISED PAGE NO.	SUMMARY
MAY.17, 2013	3	4.1 LCD MODULE ELECTRICAL CHARACTERISTICS LED LIFE TIME : MIN.=3000→30000, TYP.=4000→40000
	10	7. OUTLINE DIMENSIONS MARK △ : MODIFY FPC CONTACT SIDE AND P/N NO.
<p>CONFIDENTIAL</p> <p>Authorized for</p> <p>Emerging Display Technologies Corporation Only.</p> <p>Do not distribute without authorization.</p>		

TABLE OF CONTENTS

NO.	ITEM	PAGE
1.	GENERAL SPECIFICATIONS -----	1
2.	MECHANICAL SPECIFICATIONS -----	1
3.	ABSOLUTE MAXIMUM RATINGS -----	2
4.	ELECTRICAL CHARACTERISTICS -----	3
5.	TIMING CHARACTERISTICS -----	4 ~ 7
6.	OPTICAL CHARACTERISTICS -----	8, 9
7.	OUTLINE DIMENSIONS -----	10
8.	BLOCK DIMENSIONS -----	11
9.	DETAIL DRAWING OF DOT MATRIX -----	12
10.	INTERFACE SIGNAL -----	13, 14
11.	POWER SUPPLY -----	15
12.	CAPACITIVE TOUCH PANEL SPECIFICATION -----	16 ~ 20
13.	INSPECTION CRITERION -----	21 ~ 30

CONFIDENTIAL  
 Authorized for  
 Emerging Display Technologies Corporation Only.  
 Do not distribute without authorization.

1. GENERAL SPECIFICATIONS

1.1 DATA SHEET FOR LCD MODULE CONTROLLER/DRIVER

PLEASE REFER TO :

HIMAX HX8662

HIMAX HX8258

1.2 DATA SHEET FOR CAPACITIVE TOUCH PANEL CONTROLLER/DRIVER

PLEASE REFER TO :

FOCALTECH FT5316 DME

1.3 MATERIAL SAFETY DESCRIPTION

ASSEMBLIES SHALL COMPLY WITH EUROPEAN ROHS REQUIREMENTS, INCLUDING PROHIBITED MATERIALS/COMPONENTS CONTAINING LEAD, MERCURY, CADMIUM, HEXA VALENT CHROMIUM, POLYBROMINATED BIPHENYLS (PBB) AND POLYBROMINATED DIPHENYL ETHERS (PBDE)

2. MECHANICAL SPECIFICATIONS

2.1 LCD MODULE MECHANICAL SPECIFICATIONS

(1) DIAGONALS	-----	5 inch
(2) NUMBER OF DOTS	-----	800W * (RGB) * 480H DOTS
(3) MODULE SIZE	-----	118.5W * 77.6H * 3.05D mm (WITHOUT EPC)
(4) EFFECTIVE AREA	-----	109.6W * 66.4H mm
(5) ACTIVE AREA	-----	108W * 64.8H mm
(6) DOT SIZE	-----	0.045W * 0.135H mm
(7) PIXEL SIZE	-----	0.135W * 0.135H mm
(8) LCD TYPE	-----	TFT , TRANSMISSIVE , ANTI-GLARE
(9) COLOR	-----	16.7M
(10) VIEWING DIRECTION	-----	6 O'CLOCK
(11) BACK LIGHT	-----	LED , COLOR : WHITE
(12) INTERFACE MODE	-----	RGB 24 BIT, PARALLEL (DE/SYNC MODE)

2.2 CAPACITIVE TOUCH PANEL MECHANICAL SPECIFICATIONS

(1) TOUCH PANEL SIZE	-----	5 inch
(2) OUTER DIMENSION	-----	116.9W * 75.5H * 1.41D mm (WITHOUT FPC)
(3) EFFECTIVE AREA	-----	110W * 66.8H mm
(4) ACTIVE AREA	-----	109W * 65.8H mm
(5) INPUT TYPE	-----	MULTI TOUCH
(6) NUMBER OF TOUCH SENSOR	-----	20*12 SENSORS
(7) RESOLUTION	-----	1280*768
(8) INTERFACE MODE	-----	I2C

### 3. ABSOLUTE MAXIMUM RATINGS

#### 3.1 ELECTRICAL ABSOLUTE MAXIMUM RATINGS

PARAMETER	SYMBOL	MIN.	MAX.	UNIT	REMARK
POWER VOLTAGE	VCC-VSS	-0.3	7	V	—
LED BACKLIGHT DISSIPATION	PO <sub>BL</sub>	—	1.4	W	—
LED BACKLIGHT CURRENT	I <sub>BL</sub>	—	60	mA	—
LED BACKLIGHT REVERSE VOLTAGE	VR <sub>BL</sub>	—	50	V	—
INPUT SIGNAL VOLTAGE	V <sub>i</sub>	-0.3	VCC+0.3	V	—

#### 3.2 CAPACITIVE TOUCH PANEL ELECTRICAL ABSOLUTE MAXIMUM RATINGS.

PARAMETER	SYMBOL	MIN.	MAX.	UNIT	REMARK
POWER SUPPLY FOR DRIVER	VDD-VSS1	-0.3	3.6	V	
INPUT VOLTAGE	VIN	-0.3	IOVCC+0.3	V	NOTE ( 1 )

NOTE ( 1 ) : IOVCC IS SET TO VDD BY SOFTWARE CONFIGURATION.

#### 3.3 ENVIRONMENTAL ABSOLUTE MAXIMUM RATINGS

ITEM	OPERATING		STORAGE		REMARK
	MIN.	MAX.	MIN.	MAX.	
AMBIENT TEMPERATURE	-20°C	70°C	-30°C	80°C	NOTE ( 1 ), ( 2 )
HUMIDITY	NOTE ( 3 )		NOTE ( 3 )		WITHOUT CONDENSATION
VIBRATION	—	2.45m/s <sup>2</sup> ( 0.25G )	—	11.76m/s <sup>2</sup> ( 1.2G )	10~100Hz , XYZ DIRECTIONS 1HR EACH
SHOCK	—	29.4m/s <sup>2</sup> ( 3G )	—	490m/s <sup>2</sup> ( 50G )	10 ms XYZ DIRECTIONS 1 TIME EACH
CORROSIVE GAS	NOT ACCEPTABLE		NOT ACCEPTABLE		

NOTE ( 1 ) : Ta AT -30°C : 48HR MAX.

80°C : 168HR MAX.

NOTE ( 2 ) : BACKGROUND COLOR CHANGES SLIGHTLY DEPENDING ON AMBIENT TEMPERATURE THIS PHENOMENON IS REVERSIBLE.

NOTE ( 3 ) : Ta ≤ 60°C : 90%RH MAX (96HRS MAX).

Ta > 60°C : ABSOLUTE HUMIDITY MUST BE LOWER THAN THE HUMIDITY OF 90%RH AT 60°C(96HRS MAX).

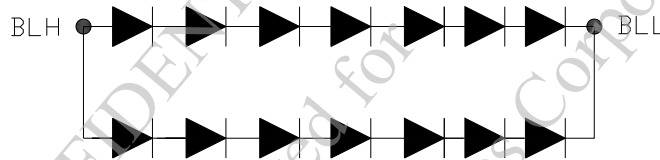
#### 4. ELECTRICAL CHARACTERISTICS

##### 4.1 LCD MODULE ELECTRICAL CHARACTERISTICS

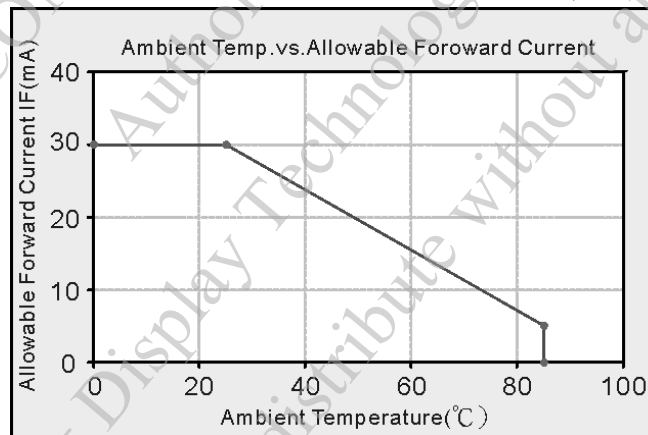
Ta = 25 °C

PARAMETER	SYMBOL	CONDITION	MIN.	TYP.	MAX.	UNIT	REMARK
POWER SUPPLY	VCC-VSS	—	3.0	3.3	3.6	V	
OPERATING CURRENT	ICC	—	—	120	170	mA	
LOGIC HIGH OUTPUT VOLTAGE	VOH	I <sub>OUT</sub> =-400μA	0.8*VDD	—	VCC	V	NOTE(1)
LOGIC LOW OUTPUT VOLTAGE	VOL	I <sub>OUT</sub> =400μA	0	—	0.2*VCC	V	NOTE(1)
LOGIC HIGH INPUT VOLTAGE	VIH	H LEVEL	0.7*VDD	—	VCC	V	NOTE(1)
LOGIC LOW INPUT VOLTAGE	VIL	L LEVEL	0	—	0.3*VCC	V	NOTE(1)
POWER SUPPLY FOR LED BACKLIGHT	BLH-BLL	I <sub>BL</sub> =40mA	—	23.1	—	V	NOTE(1) NOTE(2)
LED LIFE TIME	—		30000	40000	—	hrs	

NOTE ( 1 ) : INTERNAL CIRCUIT DIAGRAM OF BACKLIGHT



NOTE ( 2 ) : AMBIENT TEMP .VS. ALLOWABLE FORWARD CURRENT.(PER LED)



##### 4.2 CAPACITIVE TOUCH PANEL ELECTRICAL CHARACTERISTICS

Ta=25°C

ITEM	SYMBOL	CONDITION	MIN.	TYP.	MAX.	UNIT
POWER SUPPLY FOR DRIVER	VDD-VSS1	—	2.8	3.3	3.6	V
INPUT HIGH-LEVEL VOLTAGE	VIH	—	0.7*IOVCC	—	IOVCC	V
INPUT LOW-LEVEL VOLTAGE	VIL	—	-0.3	—	0.3*IOVCC	V
OUTPUT HIGHT-LEVEL VOLTAGE	VOH	IOH=-0.1mA	0.7*IOVCC	—	—	V
OUTPUT LOW-LEVEL VOLTAGE	VOL	IOH=0.1mA	—	—	0.3*IOVCC	V
POWER SUPPLY CURRENT CONSUMPTION FOR OPERATION	IDD	VDD-VSS=3.3V	—	12	18	mA
POWER SUPPLY CURRENT CONSUMPTION FOR SLEEP MODE	ISB	VDD-VSS=3.3V	—	30	60	μA
I/O POWER SUPPLY	IOVCC	—	—	VDD	—	V



5.1.2 DATA INPUT FORMAT

SYNC MODE

800RGB \* 480

PARAMETER	SYMBOL	SPEC.			UNIT
		MIN.	TYP.	MAX.	
CLK FREQUENCY	$F_{CPH}$	—	33.26	—	MHz
CLK PERIOD	$T_{CPH}$	—	30.06	—	ns
CLK PULSE DUTY	$T_{CWH}$	40	50	60	%
HS PERIOD	$T_H$	—	1056	—	$T_{CPH}$
HS PULSE WIDTH	$T_{WH}$	1	128	—	$T_{CPH}$
HS-FIRST HORIZONTAL DATA TIME	$T_{HS}$	128+88 <sup>(i)</sup>			$T_{CPH}$
HS ACTIVE TIME	$T_{HA}$	—	800	—	$T_{CPH}$
VS PERIOD	$T_V$	—	525	—	$T_H$
VS PULSE WIDTH	$T_{WV}$	1	2	—	$T_H$
VS-DEN TIME	$T_{VS}$	27+8			$T_H$
VS ACTIVE TIME	$T_{VA}$	—	480	—	$T_H$

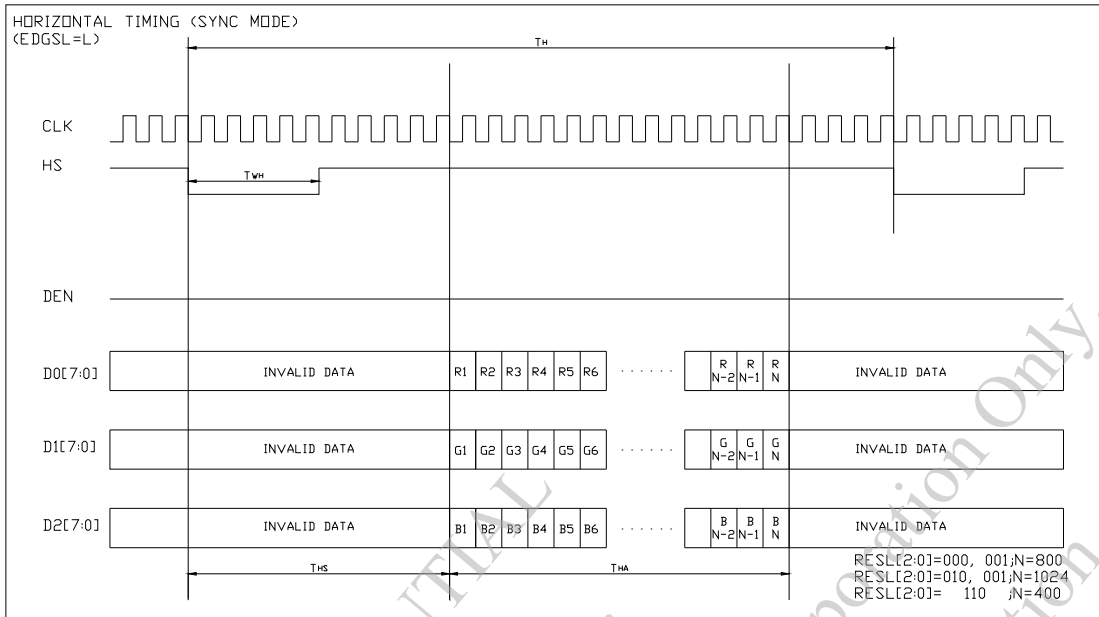
DE MODE

PARAMETER	SYMBOL	SPEC.			UNIT
		MIN.	TYP.	MAX.	
CLK FREQUENCY	$F_{CPH}$	—	33.26	—	MHz
CLK PERIOD	$T_{CPH}$	—	30.06	—	ns
CLK PULSE DUTY	$T_{CWH}$	40	50	60	%
DE PERIOD	$T_{DEH} + T_{DEL}$	1000	1056	1200	$T_{CPH}$
DE PULSE WIDTH	$T_{DEH}$	—	800	—	$T_{CPH}$
DE FRAME BLANKING	$T_{DEB}$	10	45	110	$T_{DEH} + T_{DEL}$
DE FRAME WIDTH	$T_{DE}$	—	480	—	$T_{DEH} + T_{DEL}$

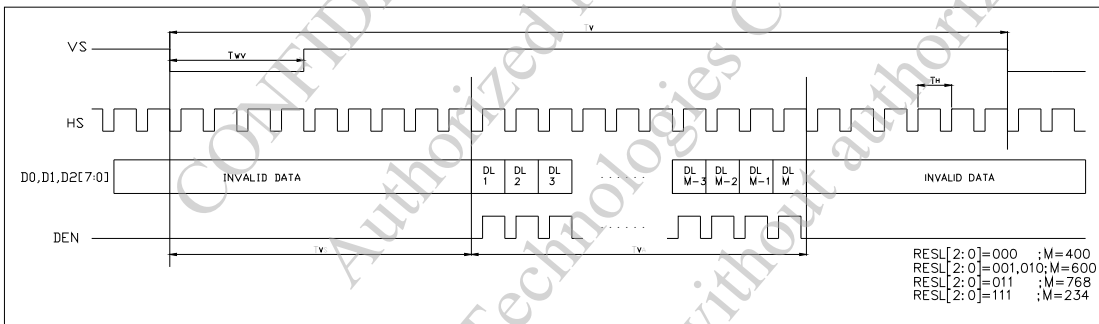
PARAMETER	SYMBOL	SPEC.			UNIT
		MIN.	TYP.	MAX.	
OEV PULSE WIDTH	$T_{OEV}$	—	150	—	$T_{CPH}$
CKV PULSE WIDTH	$T_{CKV}$	—	133	—	$T_{CPH}$
DE(INTERNAL)-STV TIME	$T_1$	—	4	—	$T_{CPH}$
DE(INTERNAL)-CKV TIME	$T_2$	—	40	—	$T_{CPH}$
DE(INTERNAL)-OEV TIME	$T_3$	—	23	—	$T_{CPH}$
DE(INTERNAL)-POL TIME	$T_4$	—	157	—	$T_{CPH}$
STV PULSE WIDTH	—	—	1	—	$T_H$

NOTE (1):  $T_{HS} + T_{HA} < T_H$

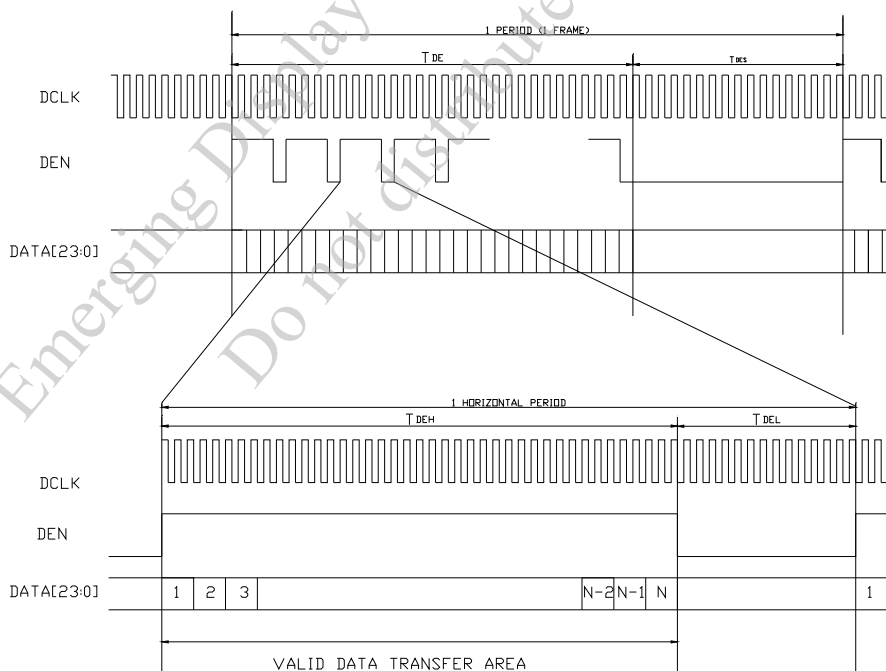


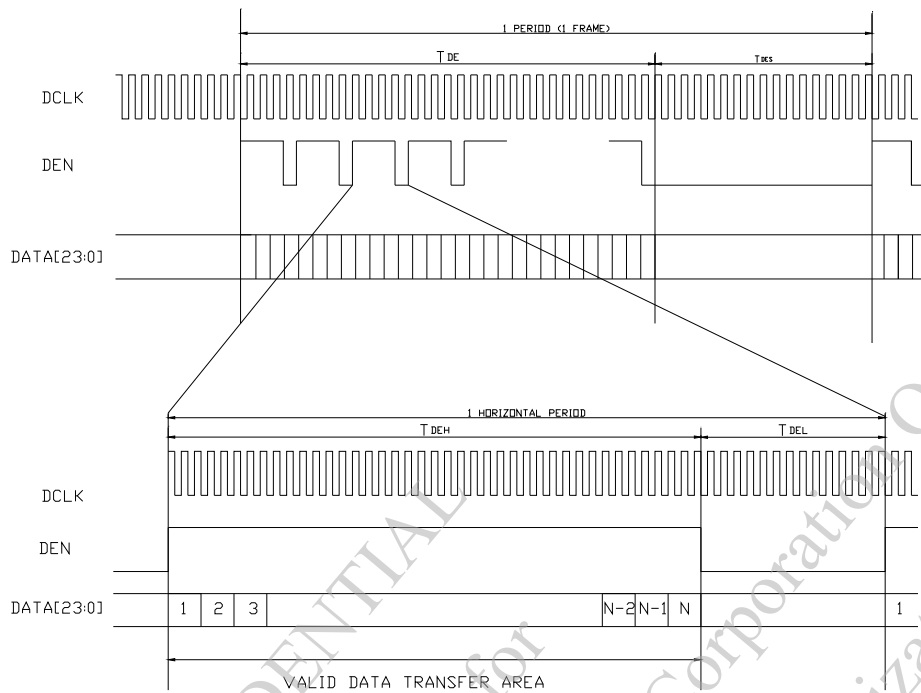


SYNC MODE HORIZONTAL DATA FORMAT

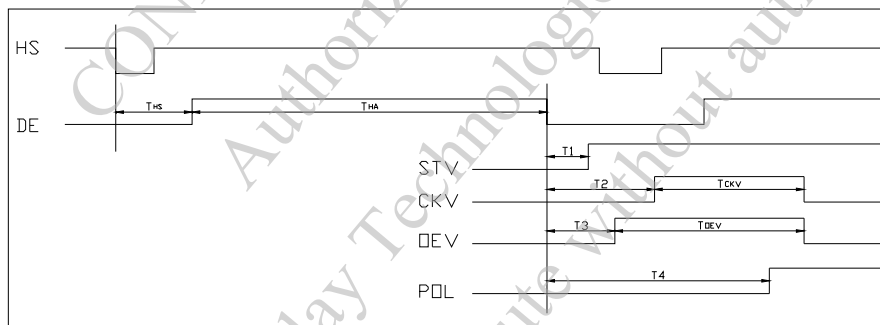


SYNC MODE VERTICAL DATA FORMAT





DE MODE DATA FORMAT

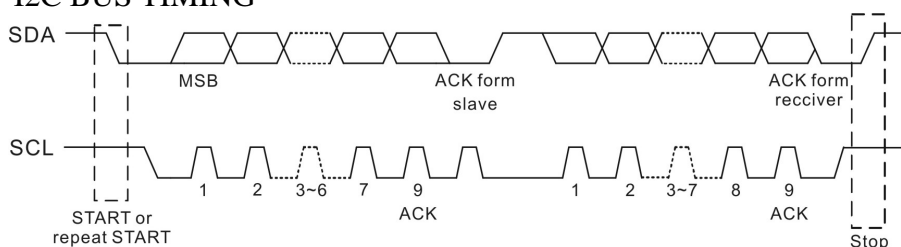


DIGITAL OUTPUT TIMING WAVEFORMS

### 5.2 I2C INTERFACE TIMING CHARACTERISTICS

PARAMETER	MIN.	MAX.	UNIT
SCL FREQUENCY	10	400	KHz
BUS FREE TIME BETWEEN A STOP AND START CONDITION	4.7	—	us
HOLD TIME (REPEATED) START CONDITION	4.0	—	us
DATA SETUP TIME	250	—	ns
SETUP TIME FOR A REPEATED START CONDITION	4.7	—	us
SETUP TIME FOR STOP CONDITION	4.0	—	us

### 5.3 I2C BUS TIMING



6. OPTICAL CHARACTERISTICS (NOTE1)

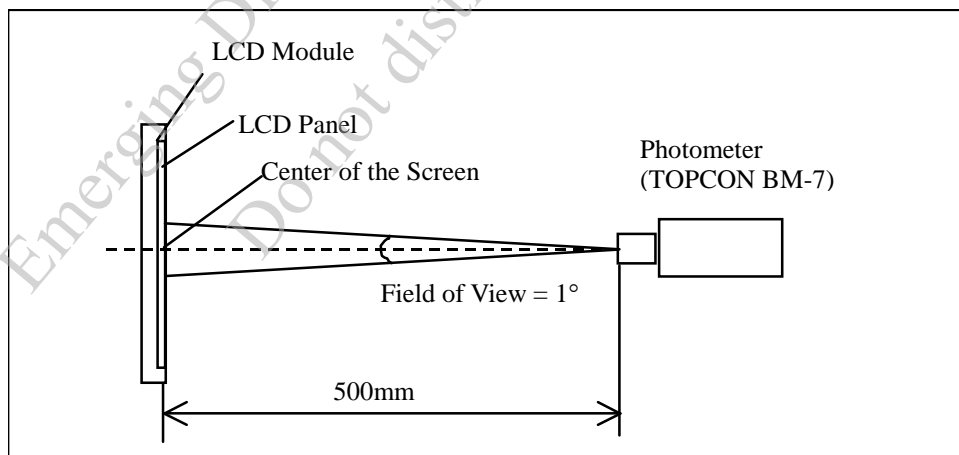
6.1 OPTICAL CHARACTERISTICS

Ta = 25 ± 2°C

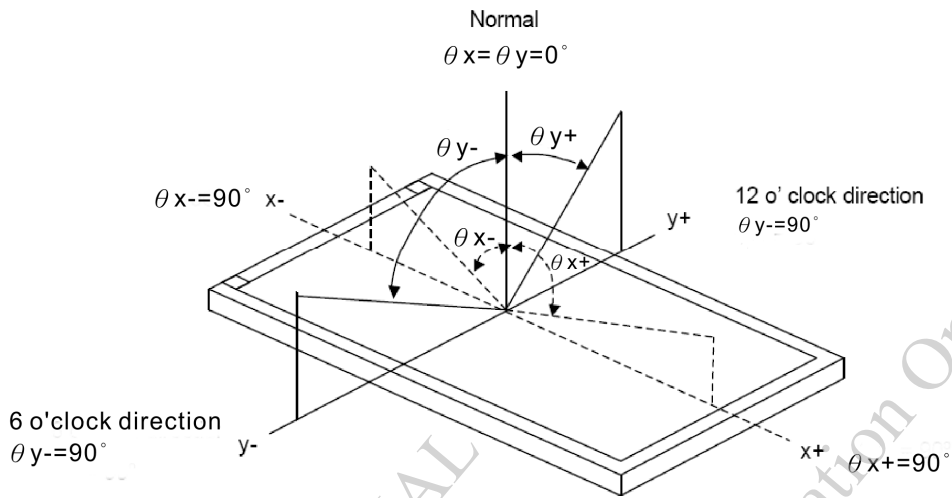
ITEM	SYMBOL	CONDITION	MIN.	TYP.	MAX.	UNIT	REMARK	
VIEWING ANGLE	$\theta_{y+}$	CR ≥ 10	$\theta_x=0^\circ$	55	62	—	deg.	(2), (3)
	$\theta_{y-}$			57	64	—		
	$\theta_{x+}$		$\theta_y=0^\circ$	62	69	—		
	$\theta_{x-}$			62	69	—		
CONTRAST RATIO	CR	$\theta_x=0^\circ, \theta_y=0^\circ$	350	450	—	—	(3)	
RESPONSE TIME	T <sub>R</sub> (rise)	$\theta_x=0^\circ, \theta_y=0^\circ$	—	15	30	ms	(4)	
	T <sub>F</sub> (fall)		—	35	50			
THE BRIGHTNESS OF MODULE	B	$\theta_x=0^\circ, \theta_y=0^\circ$ I <sub>BL</sub> =40mA	255	297.5	—	cd/m <sup>2</sup>	(5)	
COLOR OF CIE COORDINATE	WHITE	W <sub>x</sub>	$\theta_x=0^\circ, \theta_y=0^\circ$ I <sub>BL</sub> =40mA NTSC : 55%	0.261	0.311	0.361	—	(6)
		W <sub>y</sub>		0.284	0.334	0.384		
	RED	R <sub>x</sub>		0.556	0.606	0.656		
		R <sub>y</sub>		0.314	0.364	0.414		
	GREEN	G <sub>x</sub>		0.291	0.341	0.391		
		G <sub>y</sub>		0.501	0.551	0.601		
	BLUE	B <sub>x</sub>		0.094	0.144	0.194		
		B <sub>y</sub>		0.057	0.107	0.157		
THE UNIFORMITY OF BRIGHTNESS	—	$\theta_x=0^\circ, \theta_y=0^\circ$ I <sub>BL</sub> =40mA	70	75	—	%	—	

NOTE (1) : TEST EQUIPMENT SETUP :

AFTER STABILIZING AND LEAVING THE PANEL ALONE AT A GIVEN TEMPERATURE FOR 30 MINUTES, THE MEASUREMENT SHOULD BE EXECUTED. MEASUREMENT SHOULD BE EXECUTED IN A STABLE, WINDLESS, AND DARK ROOM. OPTICAL SPECIFICATIONS ARE MEASURED BY TOPCON BM-7 (FAST) WITH A VIEWING ANGLE OF 1° AT A DISTANCE OF 50cm AND NORMAL DIRECTION.



NOTE (2) : DEFINITION OF VIEWING ANGLE :

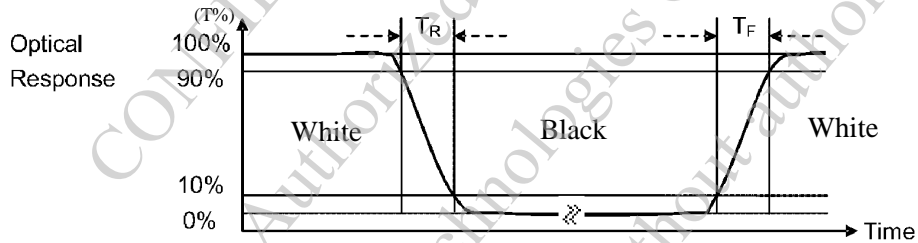


NOTE (3) : DEFINITION OF CONTRAST RATIO :

$$\text{CONTRAST RATIO (CR)} = \frac{\text{BRIGHTNESS MEASURED WHEN LCD IS AT "WHITE STATE"}}{\text{BRIGHTNESS MEASURED WHEN LCD IS AT "BLACK STATE"}}$$

NOTE (4) : DEFINITION OF RESPONSE TIME :  $T_R$  AND  $T_F$

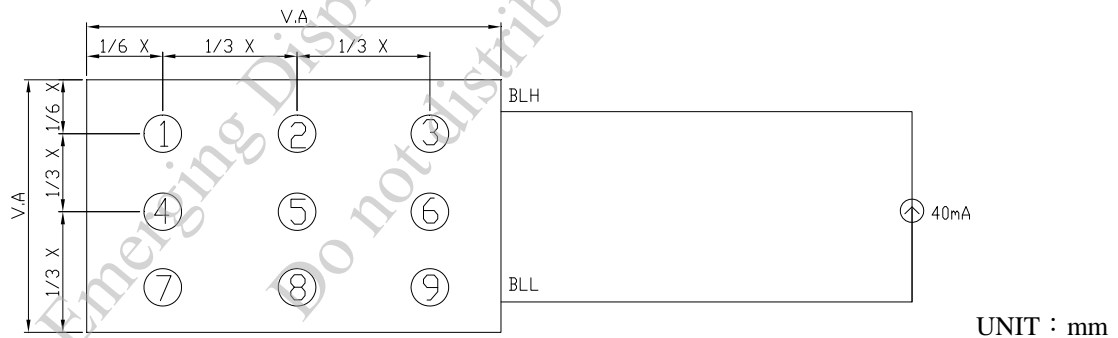
THE FIGURE BELOW IS THE OUTPUT SIGNAL OF THE PHOTO DETECTOR.



NOTE (5) : BRIGHTNESS MEASURED WHEN LCD IS AT "WHITE STATE"

NOTE (6) : THE 100% TRANSMISSION IS DEFINED AS THE TRANSMISSION OF LCD PANEL WHEN ALL THE INPUT TERMINALS OF MODULE ARE ELECTRICALLY OPENED.

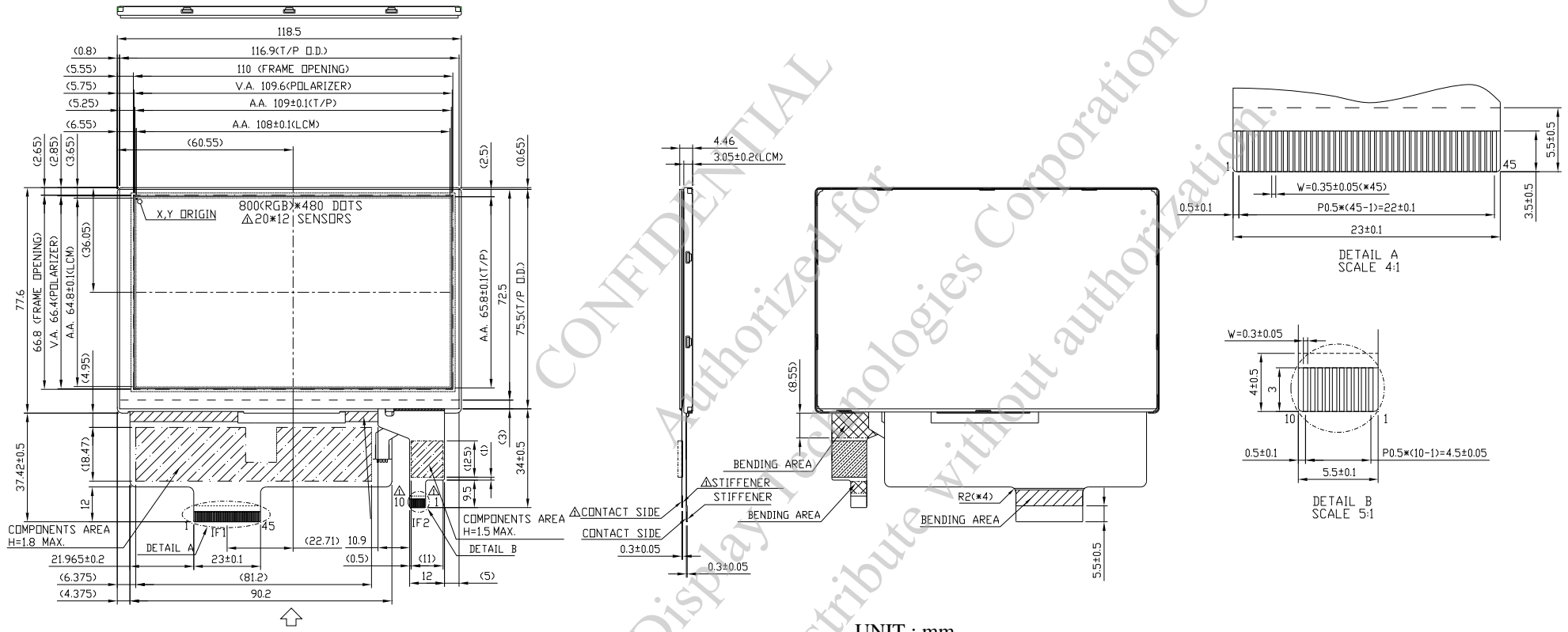
## 6.2 THE TEST METHOD OF BRIGHTNESS AND UNIFORMITY



## 6.3 THE CALCULATING METHOD OF UNIFORMITY

$$\text{UNIFORMITY} = \left[ 1 - \frac{\text{MAXIMUM BRIGHTNESS} - \text{MINIMUM BRIGHTNESS}}{\text{AVERAGE BRIGHTNESS}} \right] \times 100\%$$

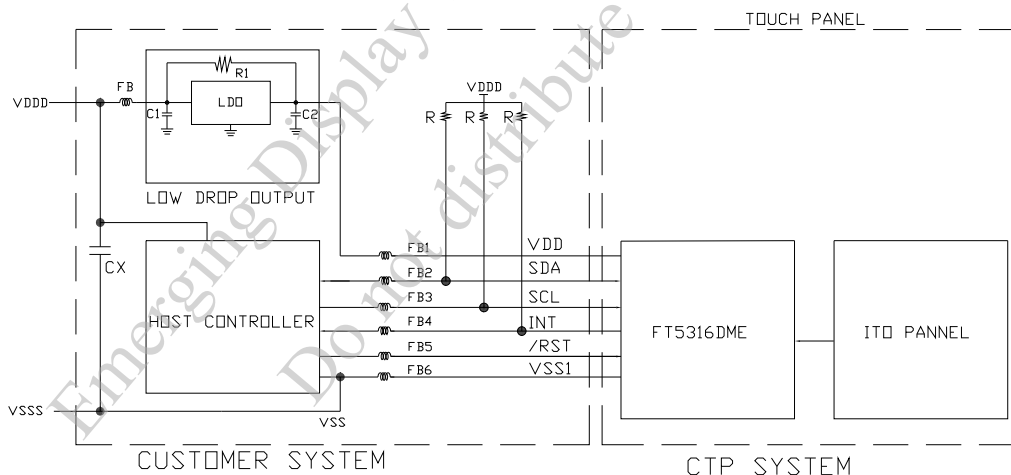
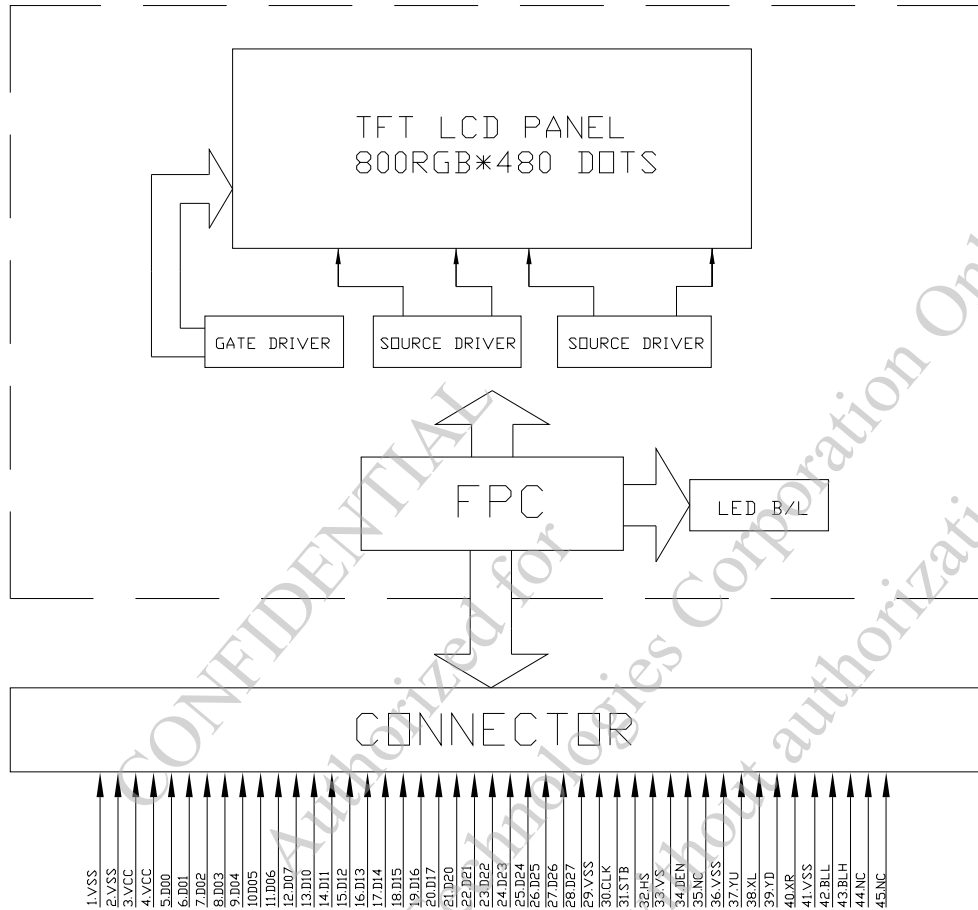
7. OUTLINE DIMENSIONS



VIEWING DIRECTION  
Best Contrast but with Gray Level Inversion

UNIT : mm  
SCALE : NTS  
NOT SPECIFIED TOLERANCE IS ± 0.3  
NOTE :  
1.IF1:RECOMMEND MATCH CONNECTOR KYOCERA:04 6240 045 SERIES  
2.IF2:RECOMMEND MATCH CONNECTOR KYOCERA:04 6240 010 SERIES  
3.MARK △ MODIFY (NUMBER NOTE MODIFY VERSION)

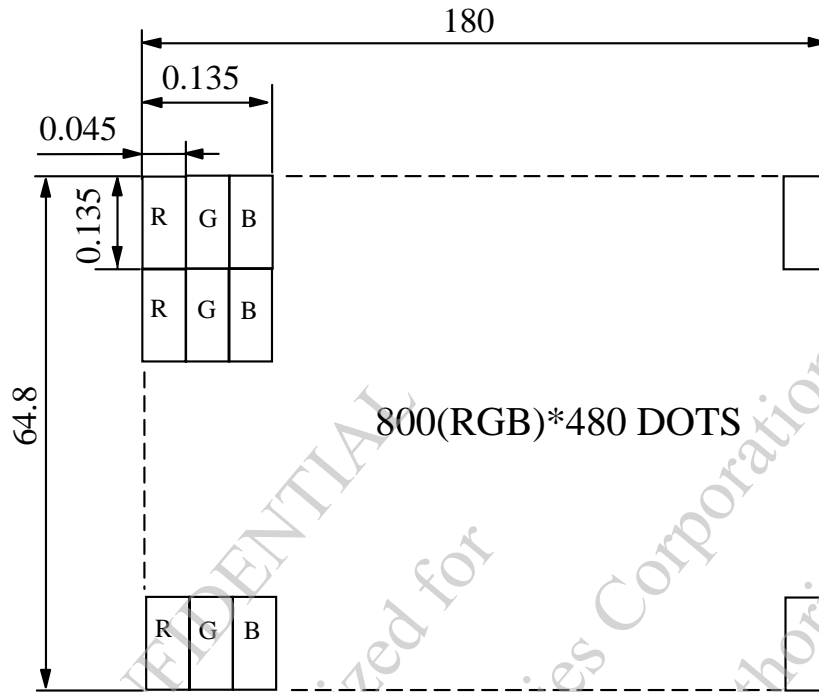
8. BLOCK DIAGRAM



NOTE ( 1 ) : USE APPROPRIATE RESISTOR VALUE DURING HIGH SPEED SCL CLOCK.  
SUGGEST RESISTOR RECOMMENDATION: 1.0 K ohm.

NOTE ( 2 ) : POWER SUPPLY SHALL BE CLEAN AND NOISE FREE. ADDITIONAL  
FILTERING OR A SEPARATE LDO (LOW DROP OUT) REGULATOR CAN  
BE REQUIRED. C1 AND C2 CAPACITORS RECOMMENDATION: 4.7 $\mu$ F OR  
10  $\mu$ F LDO OUTPUT: MIN. 3.2V. VDDD MIN. 3.2V + DROPOUT VOLTAGE  
OF LDO

9. DETAIL DRAWING OF DOT MATRIX



UNIT : mm  
SCALE : NTS  
NOT SPECIFIED TOLERANCE IS  $\pm 0.1$   
DOTS MATRIX TOLERANCE IS  $\pm 0.01$

CONFIDENTIAL  
Authorized for  
Emerging Display Technologies Corporation Only.  
Do not distribute without authorization.

10. INTERFACE SIGNALS

10.1 IF1

PIN NO.	SYMBOL	FUNCTION		
1	VSS	GROUND		
2	VSS	GROUND		
3	VCC	POWER SUPPLY ( +3.3V)		
4	VCC	POWER SUPPLY ( +3.3V)		
5	D00	DISPLAY DATA (R) 00h : BLACK D00 LSB D07 MSB DRIVER HAS INTERNAL GAMMA CONVERSION		
6	D01			
7	D02			
8	D03			
9	D04			
10	D05			
11	D06			
12	D07			
13	D10			
14	D11			
15	D12		DISPLAY DATA (G ) 00h : BLACK D10 LSB D17 MSB DRIVER HAS INTERNAL GAMMA CONVERSION	
16	D13			
17	D14			
18	D15			
19	D16			
20	D17			
21	D20			
22	D21			
23	D22	DISPLAY DATA ( B ) 00h : BLACK D20 LSB D27 MSB DRIVER HAS INTERNAL GAMMA CONVERSION		
24	D23			
25	D24			
26	D25			
27	D26			
28	D27			
29	VSS		GROUND	
30	CLK		CLOCK SIGNAL FOR DATA LATCHING AND INTERNAL COUNTER OF THE TIMING CONTROLLER	
31	STB		STANDBY MODE CONTROL SIGNAL Lo : TCON AND SOURCE DRIVER ARE OFF Hi : ALL THE FUNCTIONS ARE ON	
32	HS		HORIZONTAL SYNC SIGNAL	DE MODE : USE DEN AND CLK; HS AND VS MUST BE PULL HIGH SYNC MODE : USE HS,VS AND CLK, DEN MUST BE PULL LOW
33	VS		VERTICAL SYNC SIGNAL	
34	DEN	INPUT DATA ENABLE CONTROL		
35	NC	NOT CONNECTED		
36	VSS	GROUND		
37	NC	NOT CONNECTED		
38	NC	NOT CONNECTED		
39	NC	NOT CONNECTED		
40	NC	NOT CONNECTED		
41	VSS	GROUND		
42	BLL	BACKLIGHT DRIVE (CATHODE SIDE)		
43	BLH	BACKLIGHT DRIVE (ANODE SIDE)		
44	NC	NOT CONNECTED		
45	NC	NOT CONNECTED		



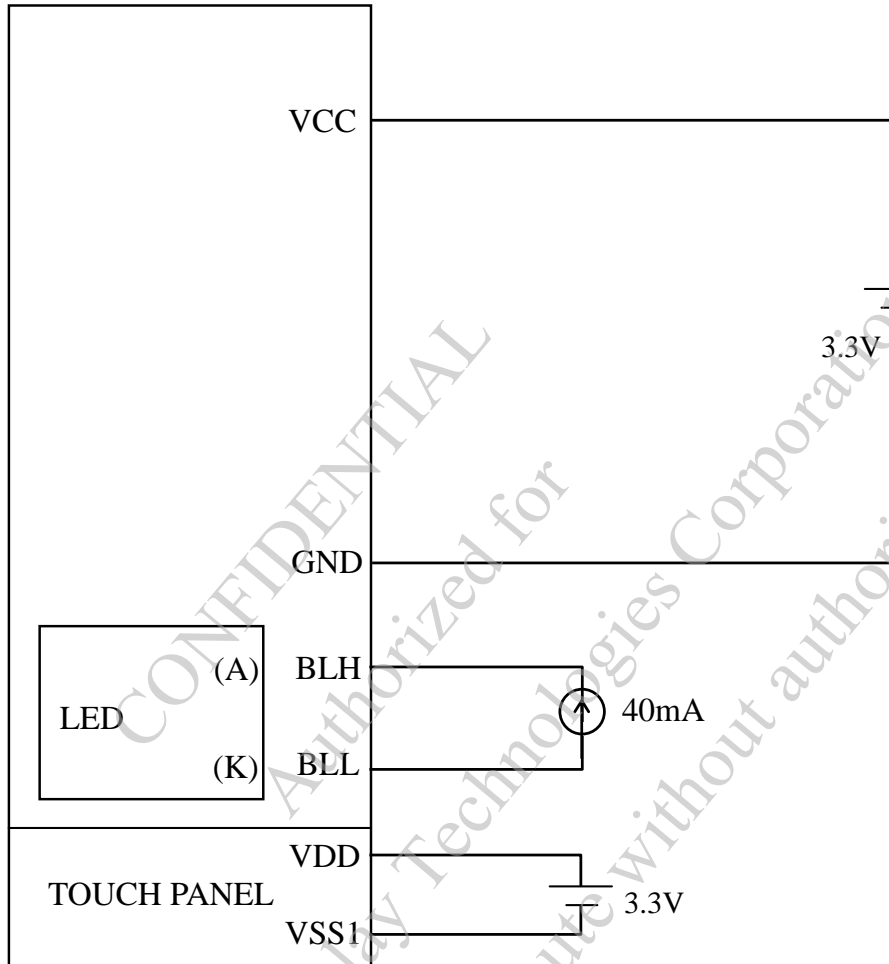
10.2 IF2

PIN NO.	SYMBOL	FUNCTION
1	VSS1	GROUND
2	VDD	POWER SUPPLY VOLTAGE
3	SCL	I2C CLOCK INPUT (ACTIVE LOW SELECT SIGNAL)
4	NC	NC
5	SDA	I2C DATA INPUT AND OUTPUT
6	NC	NC
7	/RST	EXTERNAL RESET, LOW IS ACTIVE
8	NC	NC
9	/INT	EXTERNAL INTERRUPT TO THE HOST
10	VSS1	GROUND

CONFIDENTIAL  
 Authorized for  
 Emerging Display Technologies Corporation Only.  
 Do not distribute without authorization.

11. POWER SUPPLY

11.1 POWER SUPPLY FOR LCM



CONFIDENTIAL  
 Authorized for Emerging Display Technologies Corporation Only.  
 Do not distribute without authorization.

## 12. CAPACITIVE TOUCH PANEL SPECIFICATION

### 12.1 OPTICAL CHARACTERISTICS

ITEM	CONDITION	MIN.	TYP.	MAX.	UNIT
TRANSPARENCY NOTE (1)	Ta = 25°C	(85)	—	—	%

NOTE (1) : OPTICAL MEASUREMENT SHOULD BE EXECUTED AFTER PANEL IS SECURED.  
MEASUREMENT PROCESS SHOULD BE EXECUTED IN A STABLE, WINDLESS, AND DARK ROOM.

OPTICAL SPECIFICATIONS SHOULD BE MEASURED BY SPECTROPHOTOMETER.

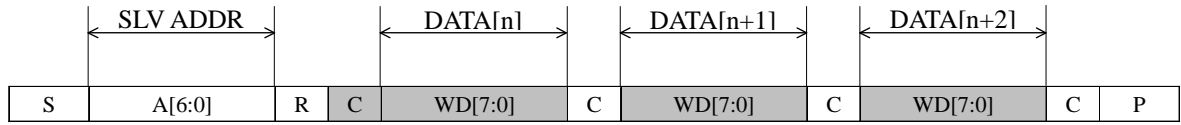
### 12.2 HARDNESS

ITEM	DESCRIPTION
SURFACE HARDNESS	7H (MIN.)

CONFIDENTIAL  
Authorized for  
Emerging Display Technologies Corporation Only.  
Do not distribute without authorization.

### 12.3 PROTOCOL

#### 12.3.1 I2C READ



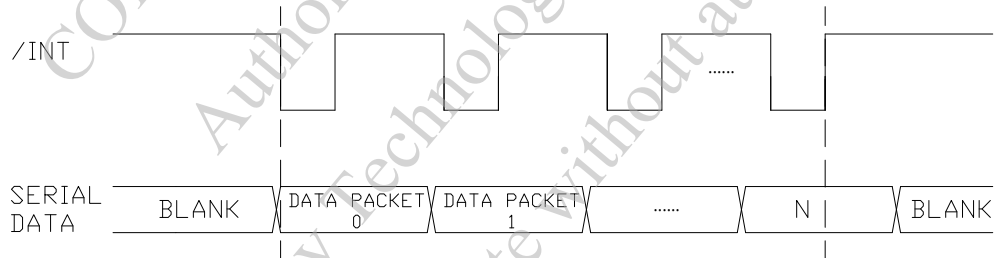
CHARACTER	DESCRIPTION
S	I2C START OR I2C RESTART
A[6:0]	SLAVE ADDRESS, THE VALUE CAN BE CUSTOMIZED
R	OPERATOR BYTE, SHOULD BE 1'b1, STANDS FOR READ
C	ACK SIGNAL
P	STOP SIGNAL (STOP SIGNAL IS OPTIONAL, RESTART SIGNAL IS ALSO OK FOR NEXT PACKET)

SLAVE ADDRESS=0x38

#### 12.3.2 INTERRUPT SIGNAL FOR CTPM TO HOST

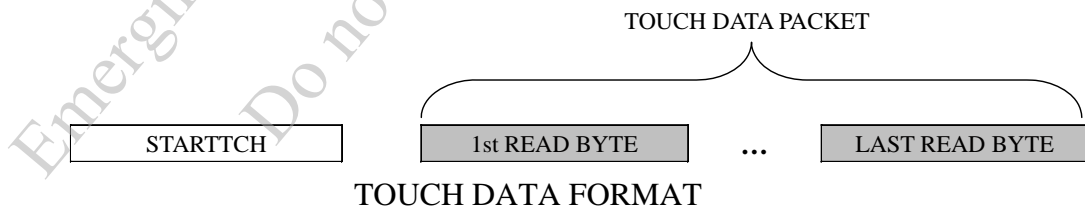
AS FOR STANDARD CTPM, HOST NEED TO USE BOTH INTERRUPT CONTROL SIGNAL AND SERIAL DATA INTERFACE TO GET THE TOUCH DATA.

HERE IS THE TIMING TO GET TOUCH DATA



#### 12.3.3 READ TOUCH DATA PACKET

WE DEFINED A CTPM PERIOD AS EACH CAPACITANCE DATA GATHERING AND DATA PROCESS, IN EACH CTPM, IF THERE IS A TOUCH DETECTS, THERE WILL WE A FAME OF TOUCH DATA. HOST CAN GET THE SPECIFIED FORMAT TOUCH DATA BY SERIAL DATA INTERFACE.



TOUCH DATA READ PROTOCOL

IN THIS MODE THE CTP IS FULLY FUNCTIONAL AS A TOUCH SCREEN CONTROLLER. READ AND WRITE ACCESS ADDRESS IS JUST LOGICAL ADDRESS WHICH IS NOT ENFORCED BY HARDWARE OR FIRMWARE. HERE IS THE OPERATING MODE REGISTER MAP.

ADDRES	NAME	BIT7	BIT6	BIT5	BIT4	BIT3	BIT2	BIT1	BIT0	HOST ACCESS
00h	DEVIDE_MODE		DEVICE MODE[2:0]							RW
01h	GEST_ID	GESTUR ID[7:0]								R
02h	TD_STATUS					NUMBER OF TOUCH POINTS[3:0]				R
03h	TOUCH1_XH	1 <sup>st</sup> EVENT FLAG					1 <sup>st</sup> TOUCH X POSITION[11:8]			R
04h	TOUCH1_XL	1 <sup>st</sup> TOUCH X POSITION[7:0]								R
05h	TOUCH1_YH	1 <sup>st</sup> TOUCH ID[3:0]				1 <sup>st</sup> TOUCH Y POSITION[11:8]				R
06h	TOUCH1_YL	1 <sup>st</sup> TOUCH Y POSITION[7:0]								R
07h										
08h										
09h	TOUCH2_XH	2 <sup>nd</sup> EVENT FLAG					2 <sup>nd</sup> TOUCH X POSITION[11:8]			R
0Ah	TOUCH2_XL	2 <sup>nd</sup> TOUCH X POSITION[7:0]								R
0Bh	TOUCH2_YH	2 <sup>nd</sup> TOUCH ID[3:0]				2 <sup>nd</sup> TOUCH Y POSITION[11:8]				R
0Ch	TOUCH2_YL	2 <sup>nd</sup> TOUCH Y POSITION[7:0]								R
0Dh										R
0Eh										R
0Fh	TOUCH3_XH	3 <sup>rd</sup> EVENT FLAG					3 <sup>rd</sup> TOUCH X POSITION[11:8]			R
10h	TOUCH3_XL	3 <sup>rd</sup> TOUCH X POSITION[7:0]								R
11h	TOUCH3_YH	3 <sup>rd</sup> TOUCH ID[3:0]				3 <sup>rd</sup> TOUCH Y POSITION[11:8]				R
12h	TOUCH3_YL	3 <sup>rd</sup> TOUCH Y POSITION[7:0]								R
13h										R
14h										R
15h	TOUCH4_XH	4 <sup>th</sup> EVENT FLAG					4 <sup>th</sup> TOUCH X POSITION[11:8]			R
16h	TOUCH4_XL	4 <sup>th</sup> TOUCH X POSITION[7:0]								R
17h	TOUCH4_YH	4 <sup>th</sup> TOUCH ID[3:0]				4 <sup>th</sup> TOUCH Y POSITION[11:8]				R
18h	TOUCH4_YL	4 <sup>th</sup> TOUCH Y POSITION[7:0]								R
19h										R
1Ah										R
1Bh	TOUCH5_XH	5 <sup>th</sup> EVENT FLAG					5 <sup>th</sup> TOUCH X POSITION[11:8]			R
1Ch	TOUCH5_XL	5 <sup>th</sup> TOUCH X POSITION[7:0]								R
1Dh	TOUCH5_YH	5 <sup>th</sup> TOUCH ID[3:0]				5 <sup>th</sup> TOUCH Y POSITION[11:8]				R
1Eh	TOUCH5_YL	5 <sup>th</sup> TOUCH Y POSITION[7:0]								R
1Fh										R
20h										R
A6h	ID_G_FIRMID	FIRMWARE ID								R

DEVICE\_MODE

THIS REGISTER IS THE DEVICE MODE REGISTER, CONFIGURE IT TO DETERMINE THE CURRENT MODE OF THE CHIP.

ADDRESS	BIT ADDRESS	REGISTER NAME	DESCRIPTION
00h	6:4	DEVICEMODE [2:0]	DEFAULT: 000b WORK MODE

GEST\_ID

THIS REGISTER DESCRIBES THE GESTURE OF A VALID TOUCH.

ADDRESS	BIT ADDRESS	REGISTER NAME	DESCRIPTION
01h	7:0	GESTURE ID [7:0]	FUNCTION DISABLED

TD\_STATUS

THIS REGISTER IS THE TOUCH DATA STATUS REGISTER.

ADDRESS	BIT ADDRESS	REGISTER NAME	DESCRIPTION
02h	3:0	NUMBER OF TOUCH POINTS [3:0]	HOW MANY POINTS DETECTED. 1-5 IS VALID.
	7:4	NONE	NONE

TOUCH<sub>n</sub>\_XH (n:1-5)

THIS REGISTER DESCRIBES MSB OF THE X COORDINATE OF THE NTH TOUCH POINT AND THE CORRESPONDING EVENT FLAG.

ADDRESS	BIT ADDRESS	REGISTER NAME	DESCRIPTION
03h ~ 1Bh	7:6	EVENT FLAG	00b: PUT DOWN 01b: PUT UP 10b: CONTACT 11b: RESERVED
	5:4	NONE	RESERVED
	3:0	TOUCH X POSITION [11:8]	MSB OF TOUCH X POSITION IN PIXELS

TOUCH<sub>n</sub>\_XL (n:1-5)

THIS REGISTER DESCRIBES LSB OF THE X COORDINATE OF THE NTH TOUCH POINT.

ADDRESS	BIT ADDRESS	REGISTER NAME	DESCRIPTION
04h ~ 1Ch	7:0	TOUCH X POSITION [7:0]	LSB OF THE TOUCH X POSITION IN PIXELS

TOUCH<sub>n</sub>\_YH (n:1-5)

THIS REGISTER DESCRIBES MSB OF THE Y COORDINATE OF THE NTH TOUCH POINT AND CORRESPONDING TOUCH ID.

ADDRESS	BIT ADDRESS	REGISTER NAME	DESCRIPTION
05h ~ 1Dh	7:4	TOUCH ID [3:0]	TOUCH ID OF TOUCH POINT
	3:0	TOUCH X POSITION [11:8]	MSB OF TOUCH Y POSITION IN PIXELS

TOUCH<sub>n</sub>\_YL (n:1-5)

THIS REGISTER DESCRIBES LSB OF THE Y COORDINATE OF THE NTH TOUCH POINT.

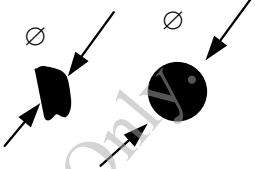
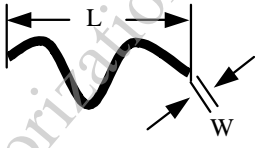
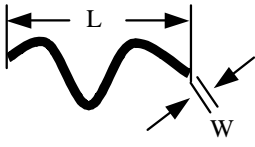
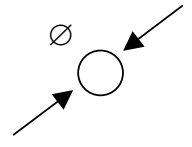
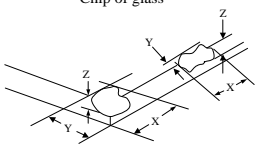
ADDRESS	BIT ADDRESS	REGISTER NAME	DESCRIPTION
06h ~ 1Eh	7:0	TOUCH X POSITION [7:0]	LSB OF THE TOUCH Y POSITION IN PIXELS

ID\_G\_FIRMWARE\_ID

THIS REGISTER DESCRIBES THE FIRMWARE ID OF THE APPLICATION

ADDRESS	BIT ADDRESS	REGISTER NAME	DESCRIPTION
A6h	7:0	ID_G_FIRMWARE_ID	FIRMWARE VERSION

12.4 INSPECTION STANDARDS

INSPECTION ITEMS	CRITERIA	REMARK										
BLACK/WHITE SPOT	<p>THE FOLLOWING BLACK/WHITE SPOT ARE WITHIN THE VIEWING AREA. AVERAGE DIAMETER : D (mm)</p> <table border="1"> <thead> <tr> <th>SIZE D</th> <th>PERMISSIBLE NO.</th> </tr> </thead> <tbody> <tr> <td>D≤0.1mm</td> <td>IGNORE</td> </tr> <tr> <td>0.1mm&lt;D≤0.3mm</td> <td>4</td> </tr> <tr> <td>0.3mm&lt;D≤0.5mm</td> <td>1</td> </tr> <tr> <td>D&gt;0.5 mm</td> <td>0</td> </tr> </tbody> </table> <p>NOTE (1) : THE DISTANCE BETWEEN DOT EDFFECTS SHOULD BE MORE THAN 10mm APART.</p>	SIZE D	PERMISSIBLE NO.	D≤0.1mm	IGNORE	0.1mm<D≤0.3mm	4	0.3mm<D≤0.5mm	1	D>0.5 mm	0	
SIZE D	PERMISSIBLE NO.											
D≤0.1mm	IGNORE											
0.1mm<D≤0.3mm	4											
0.3mm<D≤0.5mm	1											
D>0.5 mm	0											
SCRATCH	<p>THE FOLLOWING BLACK LINE, WHITE LINE IS WITHIN THE VIEWING AREA. WIDTH : W (mm) , LENGH : L (mm)</p> <table border="1"> <thead> <tr> <th>SIZE W &amp; L</th> <th>PERMISSIBLE NO.</th> </tr> </thead> <tbody> <tr> <td>W≤0.05mm</td> <td>IGNORE</td> </tr> <tr> <td>0.05mm&lt;W≤0.07mm, L≤5mm</td> <td>1</td> </tr> <tr> <td>W&gt;0.07mm</td> <td>0</td> </tr> </tbody> </table>	SIZE W & L	PERMISSIBLE NO.	W≤0.05mm	IGNORE	0.05mm<W≤0.07mm, L≤5mm	1	W>0.07mm	0			
SIZE W & L	PERMISSIBLE NO.											
W≤0.05mm	IGNORE											
0.05mm<W≤0.07mm, L≤5mm	1											
W>0.07mm	0											
LINEAR TYPE / FOREIGN FIBER	<p>THE FOLLOWING BLACK LINE, WHITE LINE IS WITHIN THE VIEWING AREA. WIDTH : W (mm) , LENGH : L (mm)</p> <table border="1"> <thead> <tr> <th>SIZE W &amp; L</th> <th>PERMISSIBLE NO.</th> </tr> </thead> <tbody> <tr> <td>W≤0.05mm</td> <td>IGNORE</td> </tr> <tr> <td>0.05mm&lt;W≤0.07mm, L≤5mm</td> <td>1</td> </tr> <tr> <td>W&gt;0.07mm</td> <td>0</td> </tr> </tbody> </table>	SIZE W & L	PERMISSIBLE NO.	W≤0.05mm	IGNORE	0.05mm<W≤0.07mm, L≤5mm	1	W>0.07mm	0			
SIZE W & L	PERMISSIBLE NO.											
W≤0.05mm	IGNORE											
0.05mm<W≤0.07mm, L≤5mm	1											
W>0.07mm	0											
BUBBLE / DENT	<p>BUBBLES WITHIN VIEWING AREA. AVERAGE DIAMETER : D (mm)</p> <table border="1"> <thead> <tr> <th>SIZE D</th> <th>PERMISSIBLE NO.</th> </tr> </thead> <tbody> <tr> <td>W≤0.2mm</td> <td>IGNORE</td> </tr> <tr> <td>0.2mm&lt;W≤0.3mm</td> <td>3</td> </tr> <tr> <td>0.3mm&lt;W≤0.5mm</td> <td>1</td> </tr> <tr> <td>W&gt;0.5mm</td> <td>0</td> </tr> </tbody> </table>	SIZE D	PERMISSIBLE NO.	W≤0.2mm	IGNORE	0.2mm<W≤0.3mm	3	0.3mm<W≤0.5mm	1	W>0.5mm	0	
SIZE D	PERMISSIBLE NO.											
W≤0.2mm	IGNORE											
0.2mm<W≤0.3mm	3											
0.3mm<W≤0.5mm	1											
W>0.5mm	0											
CRACK	<table border="1"> <tbody> <tr> <td>CORNER</td> <td>X + Y ≤ 4mm · Z ≤ t (t : THICKNESS)</td> </tr> <tr> <td>EDGE</td> <td>X ≤ 6 mm · Y ≤ 1mm · Z ≤ t mm (t : THICKNESS)</td> </tr> </tbody> </table>	CORNER	X + Y ≤ 4mm · Z ≤ t (t : THICKNESS)	EDGE	X ≤ 6 mm · Y ≤ 1mm · Z ≤ t mm (t : THICKNESS)	<p>Chip of glass</p> 						
CORNER	X + Y ≤ 4mm · Z ≤ t (t : THICKNESS)											
EDGE	X ≤ 6 mm · Y ≤ 1mm · Z ≤ t mm (t : THICKNESS)											

NOTE :

- 1.FOR ANY SPOTS OR LINES, WHICH ARE NOT OBSERVED UNDER APPROPRIATE PANEL OPERATING CONDITION ARE DEEMED ACCEPTABLE.
- 2.THE FOREIGN MATERIALS THAT CAN BE BLOWN OUT BY AIR AND REMOVED BY WET CLEANING ARE NOT REGARDED AS DEFECTS.

13. INSPECTION CRITERION

13.1 APPLICATION

THIS INSPECTION STANDARD IS TO BE APPLIED TO THE LCD MODULE DELIVERED FROM EMERGING DISPLAY TECHNOLOGIES CORP.( E.D.T ) TO CUSTOMERS

13.2 INSPECTION CONDITIONS

13.2.1 (1)OBSERVATION DISTANCE : 35~40cm

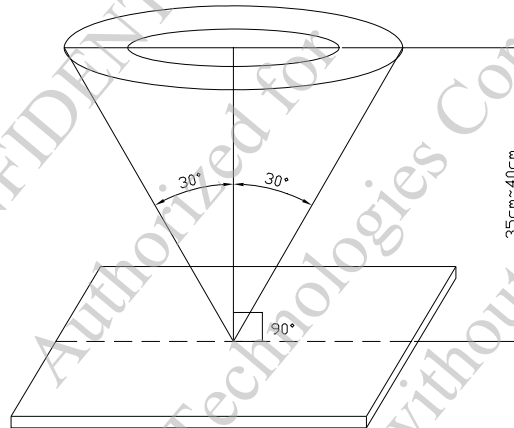
(2)VIEW ANGLE :

NON-OPERATION CONDITION :  $\pm 30^\circ$

(PERPENDICULAR TO LCD PANEL SURFACE)

OPERATION CONDITION :  $\pm 30^\circ$

(PERPENDICULAR TO LCD PANEL SURFACE)



13.2.2 ENVIRONMENT CONDITIONS :

AMBIENT TEMPERATURE		20°C~25°C
AMBIENT HUMIDITY		60±20% RH
AMBIENT IL LUMINATION	FUNCTIONAL INSPECTION	300~500 Lux

13.2.3 INSPECTION LOT

QUANTITY PER DELIVERY LOT FOR EACH MODEL

13.2.4 INSPECTION METHOD

A SAMPLING INSPECTION SHALL BE MADE ACCORDING TO THE FOLLOWING PROVISIONS TO JUDGE THE ACCEPTABILITY

(a)APPLICABLE STANDARD :

MIL-STD-105E

NORMAL INSPECTION, SINGLE SAMPLING

LEVEL II

(b)AQL : MAJOR DEFECT : AQL 0.65

MINOR DEFECT : AQL 1.0

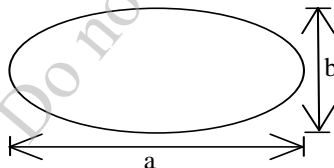


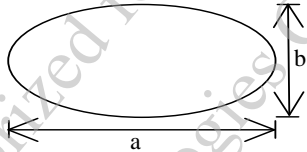
13.3 INSPECTION STANDARDS

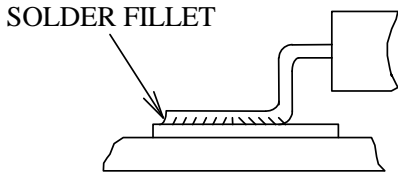
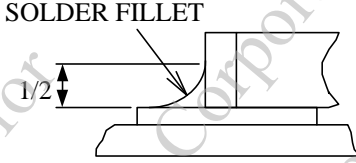
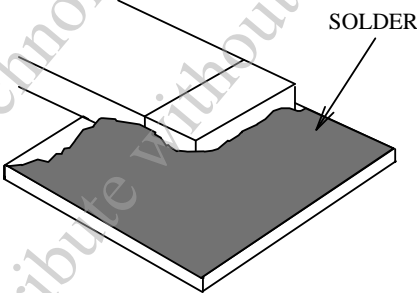
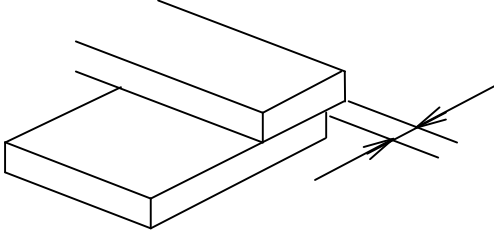
13.3.1 VISUAL DEFECTS CLASSIFICATION

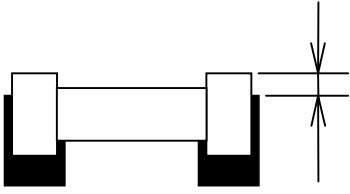
TYPE OF DEFECT	INSPECTION ITEM	DEFECT FEATURE	AQL
MAJOR DEFECT	1.DISPLAY ON	<ul style="list-style-type: none"> <li>• DEFECT TO MISS SPECIFIED DISPLAY FUNCTION, FOR ALL AND SPECIFIED DOTS</li> <li>EX: DISCONNECTION, SHORT CIRCUIT ETC</li> </ul>	0.65
	2.BACKLIGHT	<ul style="list-style-type: none"> <li>• NO LIGHT</li> <li>• FLICKERING AND OTHER ABNORMAL ILLUMINATION</li> </ul>	
	3.DIMENSIONS	<ul style="list-style-type: none"> <li>• SUBJECT TO INDIVIDUAL ACCEPTANCE SPECIFICATIONS</li> </ul>	
MINOR DEFECT	1.DISPLAY ZONE	<ul style="list-style-type: none"> <li>• BLACK/WHITE SPOT</li> <li>• BUBBLES ON POLARIZER</li> <li>• NEWTON RING</li> <li>• BLACK/WHITE LINE</li> <li>• SCRATCH</li> <li>• CONTAMINATION</li> <li>• LEVER COLOR SPREED</li> </ul>	1.0
	2.BEZEL ZONE	<ul style="list-style-type: none"> <li>• STAINS</li> <li>• SCRATCHES</li> <li>• FOREIGN MATTER</li> </ul>	
	3.SOLDERING	<ul style="list-style-type: none"> <li>• INSUFFICIENT SOLDER</li> <li>• SOLDERED IN INCORRECT POSITION</li> <li>• CONVEX SOLDERING SPOT</li> <li>• SOLDER BALLS</li> <li>• SOLDER SCRAPS</li> </ul>	
	4.DISPLAY ON (ALL ON)	<ul style="list-style-type: none"> <li>• LIGHT LINE</li> </ul>	

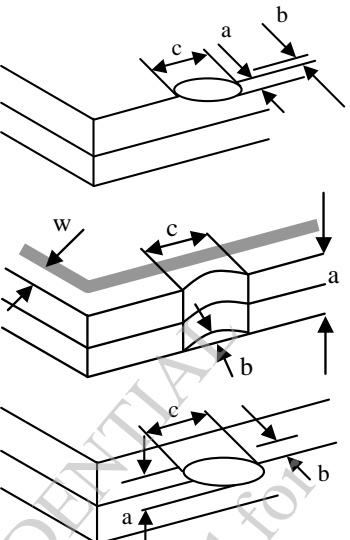
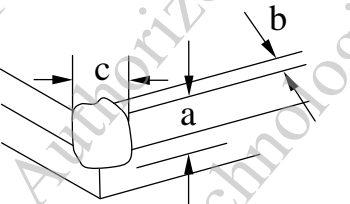
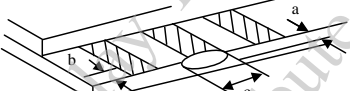
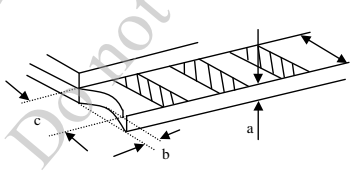
13.3.2 MODULE DEFECTS CALSSIFICATION

NO.	ITEM	CRITERIA												
1	DISPLAY ON INSPECTION	(1)INCORRECT PATTERN (2)MISSING SEGMENT (3)DIM SEGMENT (4)OPERATING VOLTAGE BEYOND SPEC												
2	OVERALL DIMENSIONS	(1)OVERALL DIMENSION BEYOND SPEC												
3	DOT DEFECT	(1) INSPECTION PATTERN: FULL WHITE, FULL BLACK, RED, GREEN AND BLUE SCREENS. (2) <table border="1" style="margin-left: 20px;"> <thead> <tr> <th>ITEMS</th> <th>ACCEPTABLE COUNT</th> </tr> </thead> <tbody> <tr> <td>BRIGHT DOT</td> <td><math>N \leq 2</math></td> </tr> <tr> <td>DARK DOT</td> <td><math>N \leq 3</math></td> </tr> <tr> <td>TOAL BRIGHT AND DARK DOTS</td> <td><math>N \leq 4</math></td> </tr> </tbody> </table> <p>NOTE :</p> <p>1. THE DEFINITION OF DOT : THE SIZE OF A DEFECTIVE DOT OVER 1/2 OF WHOLE DOT IS REGARDED AS ONE DEFECTIVE DOT.</p> <p>2. BRIGHT DOT : DOTS APPEAR BRIGHT AND UNCHANGED IN SIZE IN WHICH LCD PANEL IS DISPLAYING UNDER BLACK PATTERN.</p> <p>3. DARK DOT : DOTS APPEAR DARK AND UNCHANGED IN SIZE IN WHICH LCD PANEL IS DISPLAYING UNDER PURE RED, GREEN, BLUE PICTURE.</p>	ITEMS	ACCEPTABLE COUNT	BRIGHT DOT	$N \leq 2$	DARK DOT	$N \leq 3$	TOAL BRIGHT AND DARK DOTS	$N \leq 4$				
ITEMS	ACCEPTABLE COUNT													
BRIGHT DOT	$N \leq 2$													
DARK DOT	$N \leq 3$													
TOAL BRIGHT AND DARK DOTS	$N \leq 4$													
4	FOREIGN BLACK/WHITE/ BRIGHT LINE/ SCRATCH OF VIEWING AREA	<table border="1" style="margin-left: 20px;"> <thead> <tr> <th>LENGTH : L</th> <th>WIDTH : W</th> <th>PERMISSIBLE NO.</th> </tr> </thead> <tbody> <tr> <td><math>L \leq 0.3</math></td> <td><math>W \leq 0.05</math></td> <td>IGNORE</td> </tr> <tr> <td><math>0.5 &lt; L \leq 2.5</math></td> <td><math>0.05 &lt; W \leq 0.1</math></td> <td>4</td> </tr> <tr> <td><math>2.5 &lt; L</math></td> <td><math>0.1 &lt; W</math></td> <td>NONE</td> </tr> </tbody> </table> <p>WIDTH : W mm, LENGH : L mm</p>	LENGTH : L	WIDTH : W	PERMISSIBLE NO.	$L \leq 0.3$	$W \leq 0.05$	IGNORE	$0.5 < L \leq 2.5$	$0.05 < W \leq 0.1$	4	$2.5 < L$	$0.1 < W$	NONE
LENGTH : L	WIDTH : W	PERMISSIBLE NO.												
$L \leq 0.3$	$W \leq 0.05$	IGNORE												
$0.5 < L \leq 2.5$	$0.05 < W \leq 0.1$	4												
$2.5 < L$	$0.1 < W$	NONE												
5	FOREIGN MATTER \ BLACK SPOTS \ WHITE SPOTS \ DENT (INCLUDING LIGHT LEAKAGE DUE TO POLARIZING PLATES PINHOLES, ETC.)	<table border="1" style="margin-left: 20px;"> <thead> <tr> <th>AVERAGE DIAMETER (mm): D</th> <th>NUMBER OF PIECES PERMITTED</th> </tr> </thead> <tbody> <tr> <td><math>D \leq 0.15</math></td> <td>IGNORE</td> </tr> <tr> <td><math>0.15 &lt; D \leq 0.5</math></td> <td>4</td> </tr> <tr> <td><math>0.5 &lt; D</math></td> <td>NONE</td> </tr> </tbody> </table> <p>NOTE : DIAMETER <math>D=(a+b)/2</math></p> 	AVERAGE DIAMETER (mm): D	NUMBER OF PIECES PERMITTED	$D \leq 0.15$	IGNORE	$0.15 < D \leq 0.5$	4	$0.5 < D$	NONE				
AVERAGE DIAMETER (mm): D	NUMBER OF PIECES PERMITTED													
$D \leq 0.15$	IGNORE													
$0.15 < D \leq 0.5$	4													
$0.5 < D$	NONE													

NO.	ITEM	CRITERIA		
			AVERAGE DIAMETER (mm) : D	NUMBER OF PIECES PERMITTED
6	BUBBLES OF POLARIZER /DIRT/CF FAIL /SURFACE STAINS	BUBBLE ON THE POLARIZER	$D \leq 0.25$	IGNORE
			$0.25 < D \leq 0.5$	$N \leq 5$
			$0.5 < D$	NOTE
		SURFACE STATUS	$D < 0.1 \text{ mm}$	IGNORE
			$0.1 < D \leq 0.3\text{mm}$	$N \leq 3$
		CF FAIL / SPOT	$D < 0.1 \text{ mm}$	IGNORE
$0.1 < D \leq 0.3\text{mm}$	$N \leq 3$			
		<p>NOTE : (1)POLARIZER BUBBLE IS DEFINED AS THE BUBBLE APPEARS ON ACTIVE DISPLAY AREA. THE DEFECT OF POLARIZER BUBBLE SHALL BE IGNORED IF THE POLARIZER BUBBLE APPEARS ON THE OUTSIDE OF ACTIVE DISPLAY AREA.</p> <p>(2)THE EXTRANEIOUS SUBSTANCE IS DEFINED AS IT CAN BE OBSERVED WHEN THE MODULE IS POWER ON.</p> <p>(3)THE DEFINITION OF AVERAGE DIAMETER, D IS DEFINED AS FOLLOWING.</p> <p>AVERAGE DIAMETER (D)=(a+b)/2</p> 		
7	LINE DEFECT ON DISPLAY	OBVIOUS VERTICAL OR HORIZONTAL LINE DEFECT IS NOT ALLOW		
8	MURA ON DISPLAY	IT'S OK IF MURA IS SLIGHT VISIBLE THROUG 6% ND FILTER		
9	UNEVEN COLOR SPREAD, COLORATION	(1)TO BE DETERMINED BASED UPON THE STANDARD SAMPLE.		
10	BEZEL APPEARANCE	(1)BEZEL MAY NOT HAVE RUST, BE DEFORMED OR HAVE FINGER PRINTS STAINS OF OTHER CONTAMINATION. (2)BEZEL MUST COMPLY WITH JOB SPECIFICATIONS.		
11	PCB	<p>(1)THERE MAY NOT BE MORE THAN 2mm OF SEALANT OUTSIDE THE SEAL AREA ON THE PCB, AND THERE SHOULD BE NO MORE THAN THREE PLACES.</p> <p>(2)NO OXIDATION OR CONTAMINATION PCB TERMINALS.</p> <p>(3)PARTS ON PCB MUST BE THE SAME AS ON THE PRODUCTION CHARACTERISTIC CHART. THERE SHOULD BE NO WRONG PARTS, MISSING PARTS OR EXCESS PARTS.</p> <p>(4)THE JUMPER ON THE PCB SHOULD CONFORM TO THE PRODUCT CHARACTERISTIC CHART.</p> <p>(5)IF SOLDER GETS ON BEZEL TAB PADS, LED PAD, ZEBRA PAD OR SCREW HOLD PAD, MAKE SURE IT IS SMOOTHED DOWN.</p>		

NO.	ITEM	CRITERIA
12	SOLDERING	<p>(1)NO SOLDERING FOUND ON THE SPECIFIED PLACE</p> <p>(2)INSUFFICIENT SOLDER</p> <p>(a)LSI, IC A POOR WETTING OF SOLDER IS BETWEEN LOWER BEND OR "HEEL" OF LEAD AND PAD</p>  <p>(b)CHIP COMPONENT</p> <ul style="list-style-type: none"> <li>· SOLDER IS LESS THAN 50% OF SIDES AND FRONT FACE WETTING</li> </ul>  <ul style="list-style-type: none"> <li>· SOLDER WETS 3 SIDES OF TERMINAL, BUT LESS THAN 25% OF SIDES AND FRONT SURFACE AREA ARE COVERED</li> </ul>  <p>(3)PARTS ALIGMENT</p> <p>(a)LSI, IC LEAD WIDTH IS MORE THAN 50% BEYOND PAD OUTLINE</p> 

NO.	ITEM	CRITERIA
12	SOLDERING	<p>(b)CHIP COMPONENT COMPONENT IS OFF CENTER, AND MORE THAN 50% OF THE LEADS IS OFF THE PAD OUTLINE</p>  <p>(4)NO UNMELTED SOLDER PASTE MAY BE PRESENT ON THE PCB.            (5)NO COLD SOLDER JOINTS, MISSING SOLDER CONNECTIONS, OXIDATION OR ICICLE.            (6)NO RESIDUE OR SOLDER BALLS ON PCB.            (7)NO SHORT CIRCUITS IN COMPONENTS ON PCB.</p>
13	BACKLIGHT	<p>(1)NO LIGHT            (2)FLICKERING AND OTHER ABNORMAL ILLUMINATION            (3)SPOTS OR SCRATCHES THAT APPEAR WHEN LIT MUST BE JUDGED USING LCD SPOT, LINES AND CONTAMINATION STANDARDS.            (4)BACKLIGHT DOESN'T LIGHT OR COLOR IS WRONG.</p>
14	GENERAL APPEARANCE	<p>(1)NO OXIDATION, CONTAMINATION, CURVES OR, BENDS ON INTERFACE PIN (OLB) OF TCP.            (2)NO CRACKS ON INTERFACE PIN (OLB) OF TCP.            (3)NO CONTAMINATION, SOLDER RESIDUE OR SOLDER BALLS ON PRODUCT.            (4)THE IC ON THE TCP MAY NOT BE DAMAGED, CIRCUITS.            (5)THE UPPERMOST EDGE OF THE PROTECTIVE STRIP ON THE INTERFACE PIN MUST BE PRESENT OR LOOK AS IF IT CAUSE THE INTERFACE PIN TO SEVER.            (6)THE RESIDUAL ROSIN OR TIN OIL OF SOLDERING (COMPONENT OR CHIP COMPONENT) IS NOT BURNED INTO BROWN OR BLACK COLOR.            (7)SEALANT ON TOP OF THE ITO CIRCUIT HAS NOT HARDENED.            (8)PIN TYPE MUST MATCH TYPE IN SPECIFICATION SHEET.            (9)LCD PIN LOOSE OR MISSING PINS.            (10)PRODUCT PACKAGING MUST THE SAME AS SPECIFIED ON PACKAGING SPECIFICATION SHEET.            (11)PRODUCT DIMENSION AND STRUCTURE MUST CONFORM TO PRODUCT SPECIFICATION SHEET.            (12)THE APPEARANCE OF HEAT SEAL SHOULD NOT ADMIT ANY DIRT AND BREAK.</p>

NO.	ITEM	CRITERIA									
15	CRACKED GLASS	<p>THE LCD WITH EXTENSIVE CRACK IS NOT ACCEPTABLE</p> <p>GENERAL GLASS CHIP :</p>  <table border="1" data-bbox="933 414 1460 504"> <thead> <tr> <th>a</th> <th>b</th> <th>c</th> </tr> </thead> <tbody> <tr> <td><math>\leq t/2</math></td> <td>&lt; VIEWING AREA</td> <td><math>\leq 1/8X</math></td> </tr> <tr> <td><math>t/2 &gt; , \leq 2t</math></td> <td><math>\leq W/2</math></td> <td><math>\leq 1/8X</math></td> </tr> </tbody> </table> <p>*W=DISTANCE BETWEEN SEALANT AREA AND LCD PANEL EDGE X = LCD SIDE LENGTH t = GLASS THICKNESS</p>	a	b	c	$\leq t/2$	< VIEWING AREA	$\leq 1/8X$	$t/2 > , \leq 2t$	$\leq W/2$	$\leq 1/8X$
		a	b	c							
		$\leq t/2$	< VIEWING AREA	$\leq 1/8X$							
		$t/2 > , \leq 2t$	$\leq W/2$	$\leq 1/8X$							
<p>CORNER PART :</p>  <table border="1" data-bbox="933 1008 1460 1097"> <thead> <tr> <th>a</th> <th>b</th> <th>c</th> </tr> </thead> <tbody> <tr> <td><math>\leq t/2</math></td> <td>&lt; VIEWING AREA</td> <td><math>\leq 1/8X</math></td> </tr> <tr> <td><math>&gt; t/2 , \leq 2t</math></td> <td><math>\leq W/2</math></td> <td><math>\leq 1/8X</math></td> </tr> </tbody> </table> <p>*W=DISTANCE BETWEEN SEALANT AREA AND LCD PANEL EDGE X = LCD SIDE LENGTH t = GLASS THICKNESS</p>	a	b	c	$\leq t/2$	< VIEWING AREA	$\leq 1/8X$	$> t/2 , \leq 2t$	$\leq W/2$	$\leq 1/8X$		
a	b	c									
$\leq t/2$	< VIEWING AREA	$\leq 1/8X$									
$> t/2 , \leq 2t$	$\leq W/2$	$\leq 1/8X$									
<p>CHIP ON ELECTRODE PAD</p>  <table border="1" data-bbox="933 1276 1460 1344"> <thead> <tr> <th>a</th> <th>b</th> <th>c</th> </tr> </thead> <tbody> <tr> <td><math>\leq t</math></td> <td><math>\leq 0.5\text{mm}</math></td> <td><math>\leq 1/8X</math></td> </tr> </tbody> </table> <p>* X=LCD SIDE WIDTH t=GLASS THICKNESS</p>	a	b	c	$\leq t$	$\leq 0.5\text{mm}$	$\leq 1/8X$					
a	b	c									
$\leq t$	$\leq 0.5\text{mm}$	$\leq 1/8X$									
 <table border="1" data-bbox="933 1433 1460 1500"> <thead> <tr> <th>a</th> <th>b</th> <th>c</th> </tr> </thead> <tbody> <tr> <td><math>\leq t</math></td> <td><math>\leq 1/8X</math></td> <td><math>\leq L</math></td> </tr> </tbody> </table> <p>*X=LCD SIDE WIDTH t = GLASS THICKNESS L=ELECTRODE PAD LENGTH ①IF GLASS CHIPPING THE ITO TERMINAL, OVER 2/3 OF THE ITO MUST REMAIN AND BE, INSPECTED ACCORDING TO ELECTRODE TERMINAL SPECIFICATIONS ②IF THE PRODUCT WILL BE HEAT SEALED BY THE CUSTOMER, THE ALIGNMENT MARK MUST NOT BE DAMAGED</p>	a	b	c	$\leq t$	$\leq 1/8X$	$\leq L$					
a	b	c									
$\leq t$	$\leq 1/8X$	$\leq L$									

### 13.4 RELIABILITY TEST

#### 13.4.1 STANDARD SPECIFICATIONS FOR RELIABILITY OF LCD MODULE

NO	ITEM	DESCRIPTION
1	HIGH TEMPERATURE OPERATION	THE SAMPLE SHOULD BE ALLOWED TO STAND AT +70°C FOR 240 hrs
2	LOW TEMPERATURE OPERATION	THE SAMPLE SHOULD BE ALLOWED TO STAND AT -20°C FOR 240 hrs
3	HIGH TEMPERATURE STORAGE	THE SAMPLE SHOULD BE ALLOWED TO STAND AT +80°C FOR 240 hrs
4	LOW TEMPERATURE STORAGE	THE SAMPLE SHOULD BE ALLOWED TO STAND AT -30°C FOR 240 hrs
5	HIGH TEMP / HUMIDITY TEST (STORAGE)	THE SAMPLE SHOULD BE ALLOWED TO STAND AT 60°C, 90% RH 168 hrs
6	THERMAL SHOCK (NOT OPERATED)	<p>THE SAMPLE SHOULD BE ALLOWED TO STAND THE FOLLOWING 10 CYCLES OF OPERATION :</p> <p>The diagram illustrates a single cycle of thermal shock testing. It begins with a 30-minute dwell at -30°C. This is followed by a 3-minute ramp-up to +70°C. The sample then remains at +70°C for 30 minutes. Next is a 3-minute ramp-down to -30°C, followed by a 30-minute dwell at -30°C. The entire sequence is labeled as '1 cycle'.</p>
7	ESD (ELECTROSTATIC DISCHARGE) (NOT OPERATED)	AIR DISCHARGE ± 8KV CONTACT DISCHARGE ± 4KV

NOTE ( 1 ) : THE TEST SAMPLES HAVE RECOVERY TIME FOR 2 HOURS AT ROOM TEMPERATURE BEFORE THE FUNCTION CHECK. IN THE STANDARD CONDITIONS, THERE IS NO DISPLAY FUNCTION NG ISSUE OCCURRED.

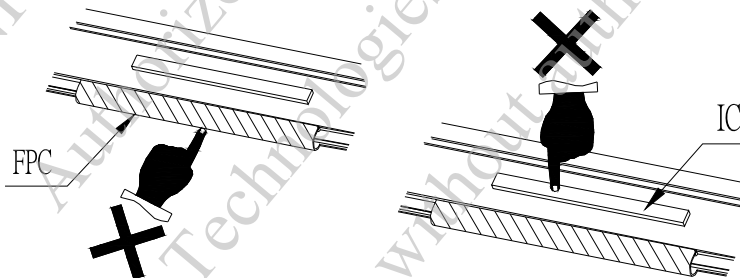
#### 13.5 TESTING CONDITIONS AND INSPECTION CRITERIA

FOR THE FINAL TEST THE TESTING SAMPLE MUST BE STORED AT ROOM TEMPERATURE FOR 24 HOURS, AFTER THE TESTS LISTED IN TABLE 13.5, STANDARD SPECIFICATIONS FOR RELIABILITY HAVE BEEN EXECUTED IN ORDER TO ENSURE STABILITY.

NO	ITEM	TEST MODEL	INSPECTION CRITERIA
1	CURRENT CONSUMPTION	REFER TO SPECIFICATION	THE CURRENT CONSUMPTION SHOULD CONFORM TO THE PRODUCT SPECIFICATION.
2	CONTRAST	REFER TO SPECIFICATION	AFTER THE TESTS HAVE BEEN EXECUTED, THE CONTRAST MUST BE LARGER THAN HALF OF ITS INITIAL VALUE PRIOR TO THE TESTS.
3	APPEARANCE	VISUAL INSPECTION	DEFECT FREE

### 13.6 OPERATION

- 13.6.1 DO NOT CONNECT OR DISCONNECT MODULES TO OR FROM THE MAIN SYSTEM WHILE POWER IS BEING SUPPLIED .
- 13.6.2 USE THE MODULE WITHIN SPECIFIED TEMPERATURE ; LOWER TEMPERATURE CAUSES THE RETARDATION OF BLINKING SPEED OF THE DISPLAY ; HIGHER TEMPERATURE MAKES OVERALL DISPLAY DISCOLOR . WHEN THE TEMPERATURE RETURNS TO NORMALITY, THE DISPLAY WILL OPERATE NORMALLY .
- 13.6.3 ADJUST THE LC DRIVING VOLTAGE TO OBTAIN THE OPTIMUM CONTRAST .
- 13.6.4 POWER ON SEQUENCE INPUT SIGNALS SHOULD NOT BE SUPPLIED TO LCD MODULE BEFORE POWER SUPPLY VOLTAGE IS APPLIED AND REACHES THE SPECIFIED VALUE. IF ABOVE SEQUENCE IS NOT FOLLOWED , CMOS LSIS OF LCD MODULES MAY BE DAMAGED DUE TO LATCH - UP PROBLEM .
- 13.6.5 NOT ALLOWED TO INFLICT ANY EXTERNAL STRESS AND TO CAUSE ANY MECHANICAL INTERFERENCE ON THE BENDING AREA OF FPC DURING THE TAIL BENDING BACKWARDS!  
DO NOT STRESS FPC AND IC ON THE MODULE!





### 13.7 NOTICE

- 13.7.1 USE A GROUNDED SOLDERING IRON WHEN SOLDERING CONNECTOR I/O TERMINALS . FOR SOLDERING OR REPAIRING , TAKE PRECAUTION AGAINST THE TEMPERATURE OF THE SOLDERING IRON AND THE SOLDERING TIME TO PREVENT PEELING OFF THE THROUGH-HOLE-PAD .
- 13.7.2 DO NOT DISASSEMBLE . EDT SHALL NOT BE HELD RESPONSIBLE IF THE MODULE IS DISASSEMBLED AND UPON THE REASSEMBLY THE MODULE FAILED .
- 13.7.3 DO NOT CHARGE STATIC ELECTRICITY , AS THE CIRCUIT OF THIS MODULE CONTAINS CMOS LSIS. A WORKMAN'S BODY SHOULD ALWAYS BE STATIC-PROTECTED BY USE OF AN ESD STRAP. WORKING CLOTHES FOR SUCH PERSONNEL SHOULD BE OF STATIC-PROTECTED MATERIAL .
- 13.7.4 ALWAYS GROUND THE ELECTRICALLY-POWERED DRIVER BEFORE USING IT TO INSTALL THE LCD MODULE. WHILE CLEANING THE WORK STATION BY VACUUM CLEANER, DO NOT BRING THE SUCKING MOUTH NEAR THE MODULE ; STATIC ELECTRICITY OF THE ELECTRICALLY-POWERED DRIVER OR THE VACUUM CLEANER MAY DESTROY THE MODULE .
- 13.7.5 DON'T GIVE EXTERNAL SHOCK.
- 13.7.6 DON'T APPLY EXCESSIVE FORCE ON THE SURFACE.
- 13.7.7 LIQUID IN LCD IS HAZARDOUS SUBSTANCE. MUST NOT LICK AND SWALLOW. WHEN THE LIQUID IS ATTACH TO YOUR, SKIN, CLOTH ETC. WASH IT OUT THOROUGHLY AND IMMEDIATELY.
- 13.7.8 DON'T OPERATE IT ABOVE THE ABSOLUTE MAXIMUM RATING.
- 13.7.9 STORAGE IN A CLEAN ENVIRONMENT, FREE FROM DUST, ACTIVE GAS, AND SOLVENT.
- 13.7.10 STORE WITHOUT ANY PHYSICAL LOAD.
- 13.7.11 REWIRING: NO MORE THAN 3 TIMES.