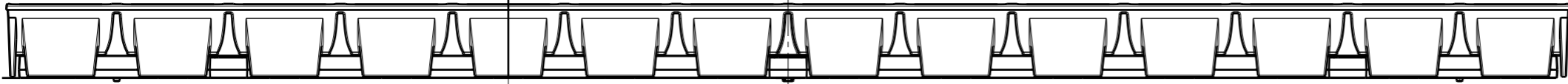
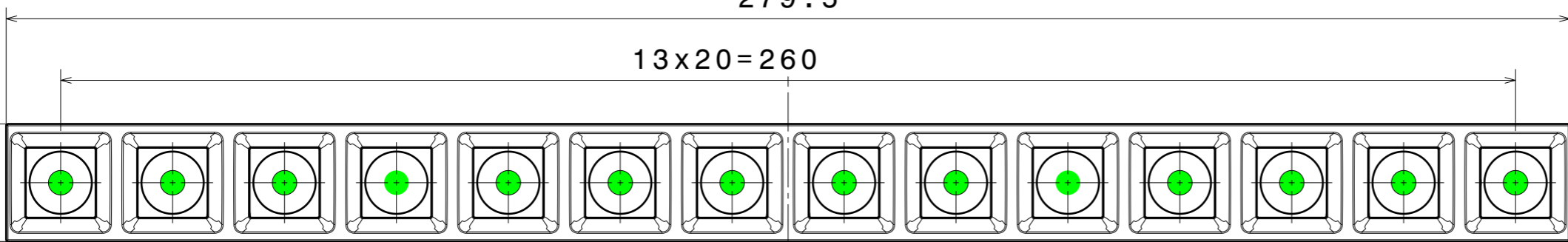


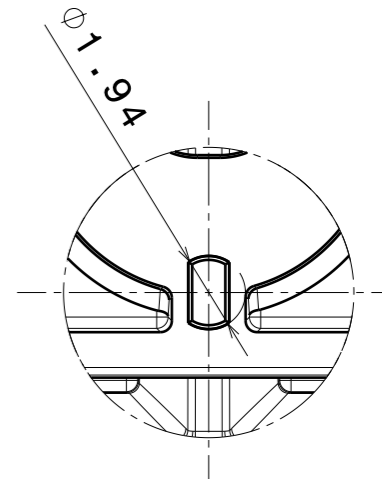
Rear view
Scale: 1:1



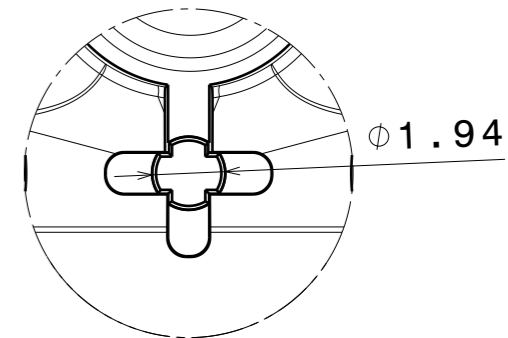
Bottom view
Scale: 1:1



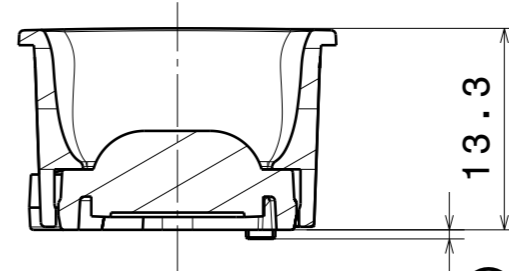
Front view
Scale: 1:1



Detail A
Scale: 5:1
Position pins 2pcs



Detail B
Scale: 5:1
Middle position pin
1pcs



Section view C-C
Scale: 2:1



Notes

●	PCB or heatsink level.
●	LED location
	Ensure LED fitting from a product specific 3D model available from www.ledil.com
	For more details about installation please see LEDiL Installation Guide on www.ledil.com

MECHANICAL DRAWING		LEDiL®
PRODUCT DAISY-MINI		
Plastic moulding general tolerances according to DIN 16901-130 and applies if not otherwise shown in the drawing. Silicone moulding general tolerances according to ISO 3302-1 Class M3 and applies if not otherwise shown in the drawing.	FIRST ANGLE PROJECTION: 	This drawing is the property of LEDiL Oy. It may not be copied or otherwise distributed without prior written permission from LEDiL Oy.
SCALE 1:1	WEIGHT 14,8 g	A3 SHEET 1/1