

Expert on lightning protection and electric surges

Description

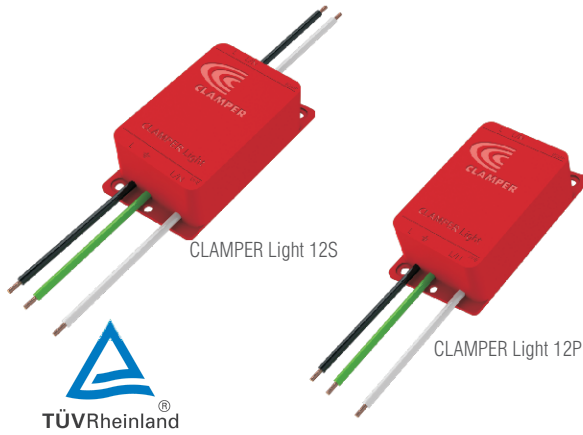
Surge Protective Device (SPD), Class II (IEC 61.643-11), with Metal Oxide Varistor (MOV) technology for protection of electronic equipment connected to the power line (power supply).

Characteristics

- It withstands voltage pulse of 10 kV @ 1.2/50 μ s;
- It withstands surge currents of 12 kA @ 8/20 μ s;
- Signaling of active protection through LED;
- Load disconnection at the end of life in series connection;
- High level protection (IP66);
- Thermally protected varistors.

Applications

- Illumination of internal and external areas with LED technology;
- Illumination of highways, public roads, tunnels, garages and parking lots.



Agency	Standard	Model	Agency File Number
TÜV	IEC-61643-11	Clamper Light 12S	TÜV 15.1819
TÜV	IEC-61643-11	Clamper Light 12P	TÜV 15.1820

Technical characteristics	Unit.	Clamper Light			
		CLAMPER Light 12S		CLAMPER Light 12P	
Models	-				
CLAMPER code	-	011435	011051	011441	011050
Standard	-	IEC 61643-11			
Certificate number	-	TÜV 15.1819		TÜV 15.1820	
Class	-	II			
Protection of technology	-	Metal Oxide Varistor (MOV)			
Protection modes	-	L/PE - N/PE (common mode); L/L - L/N (differential mode)			
Protection level - U_p	kV	1,0			
Typical response time	ns	< 25			
Varistor thermal protection	-	Yes			
Number of protected conductors	-	02 (two)			
Backup fuse (recommended)*	A	16 A gL/gG			
Nominal operating voltage - U_o	V	127 / 220 (L/N); 220 (L/L)			
Rated load current - I_L^{**}	A	10		Not applicable	
Maximum power - $W_{m\acute{a}x}$	W	1270 @ 127 V / 2200 @ 220 V		Not applicable	
Maximum continuous operating voltage - U_c	Vca / Vcc	275 / 350			
Nominal discharge current @ 8/20 μ s - I_n	kA	5			
Maximum discharge current @ 8/20 μ s - $I_{m\acute{a}x}$	kA	12			
Maximum rated current @ 8/20 μ s - I_{BMAX}^{***}	kA	36			
Protection indication	-	Not applicable**		Local, through LED	
Installation scheme	-	In series with the load		In parallel with the charge	
Electrical connection (input)	mm ²	Rigid wire # 1,5	Flexible cables # 1,5	Flexible cables # 1,5	
Electrical connection (output)	mm ²	Rigid wire # 1,5	Flexible cables # 1,5	Not applicable	
Cable length (input and output)	mm	100	200	250	
Operating temperature	°C	-40 ... +85			
Housing	-	Plastic box, with no flame propagation			
Ingress protection level	-	IP 66			
Weight	g	100		105	
Maximum dimensions	mm	80,9 x 42,1 x 23,0 (C x L x A)			

Notes:

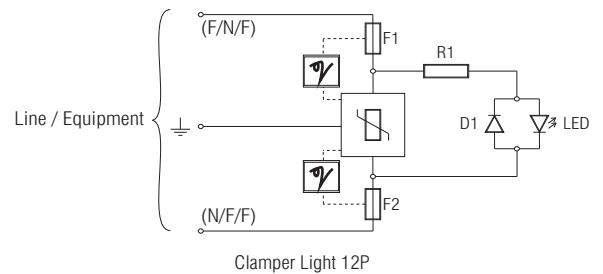
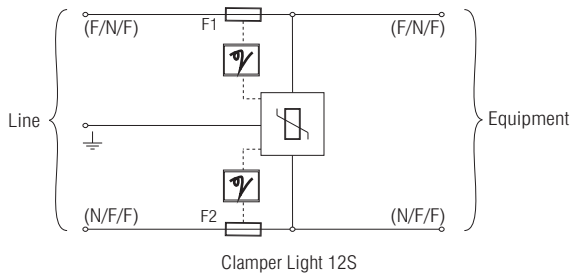
*Use a backup fuse for each phase.

**The SPD power line output is interrupted at the end of life.

***Maximum rated current: sum maximum discharge current (protection mode).

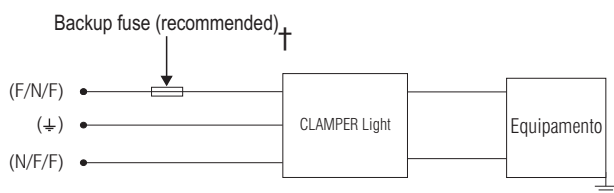
Expert on lightning protection and electric surges

Electric circuit:

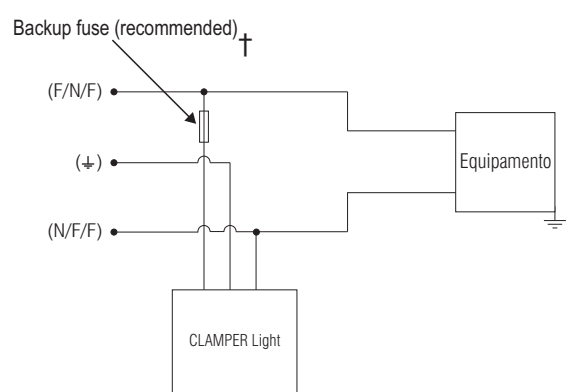


Wiring diagram:

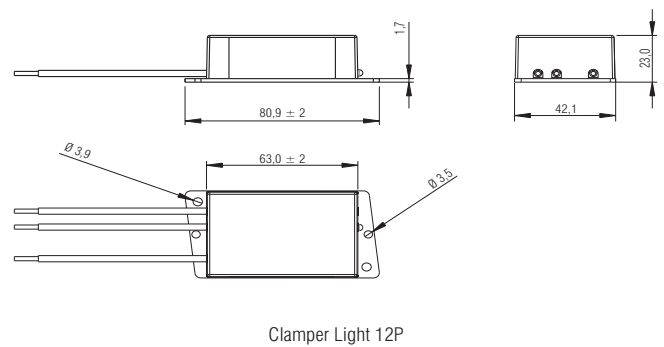
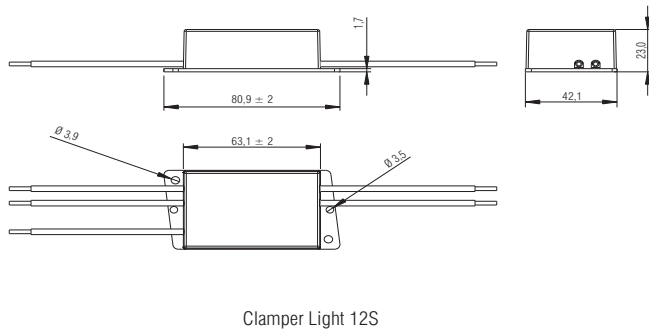
SERIES



PARALLEL



Mechanical drafting:



† Use a backup fuse for each phase.