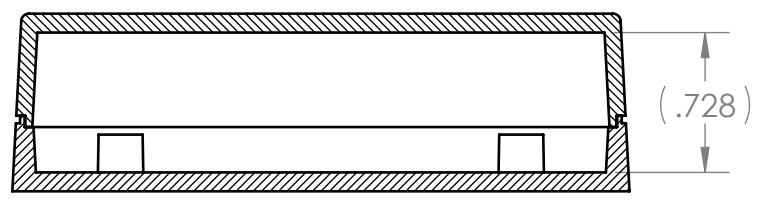
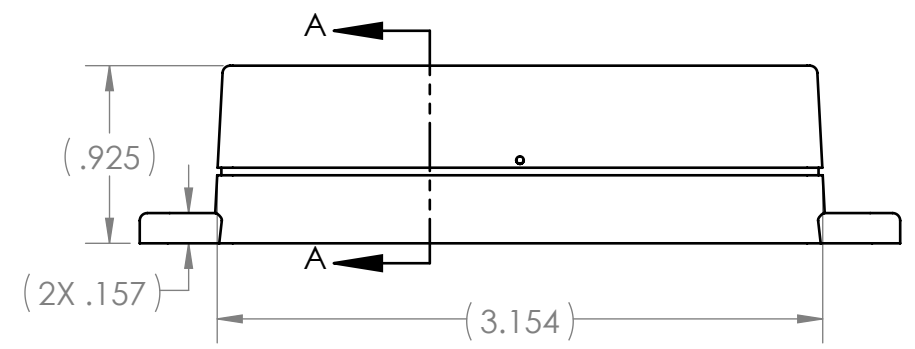
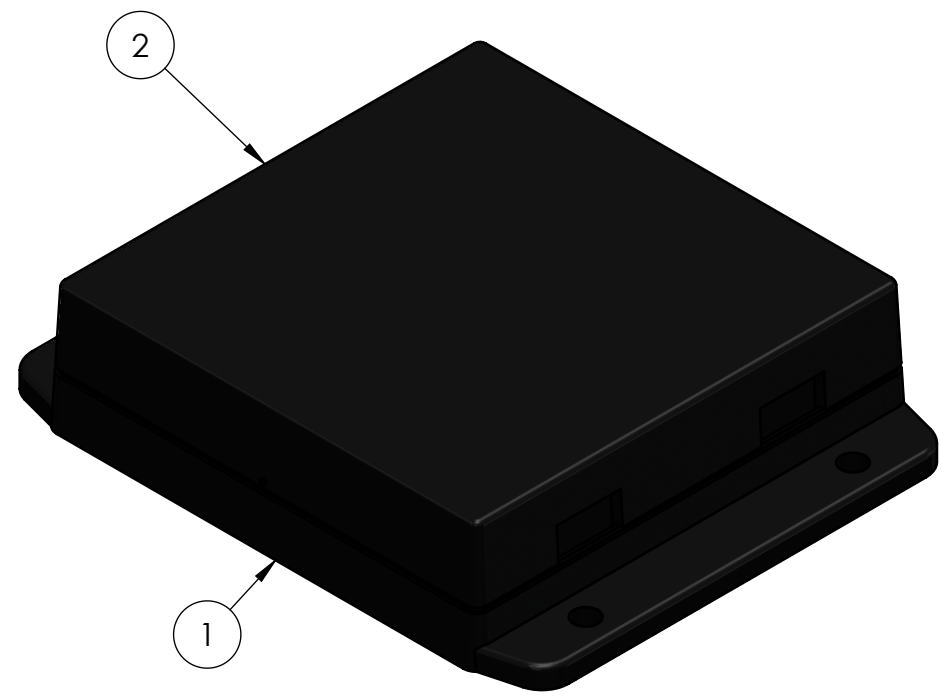
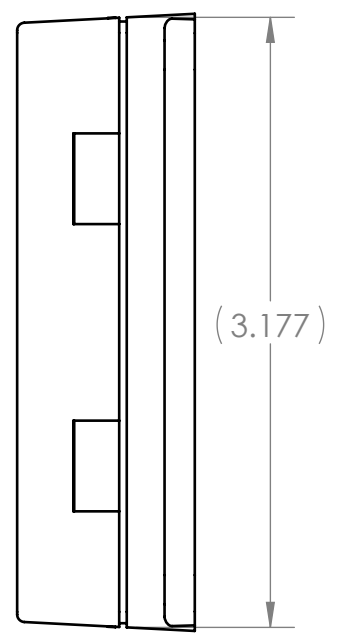
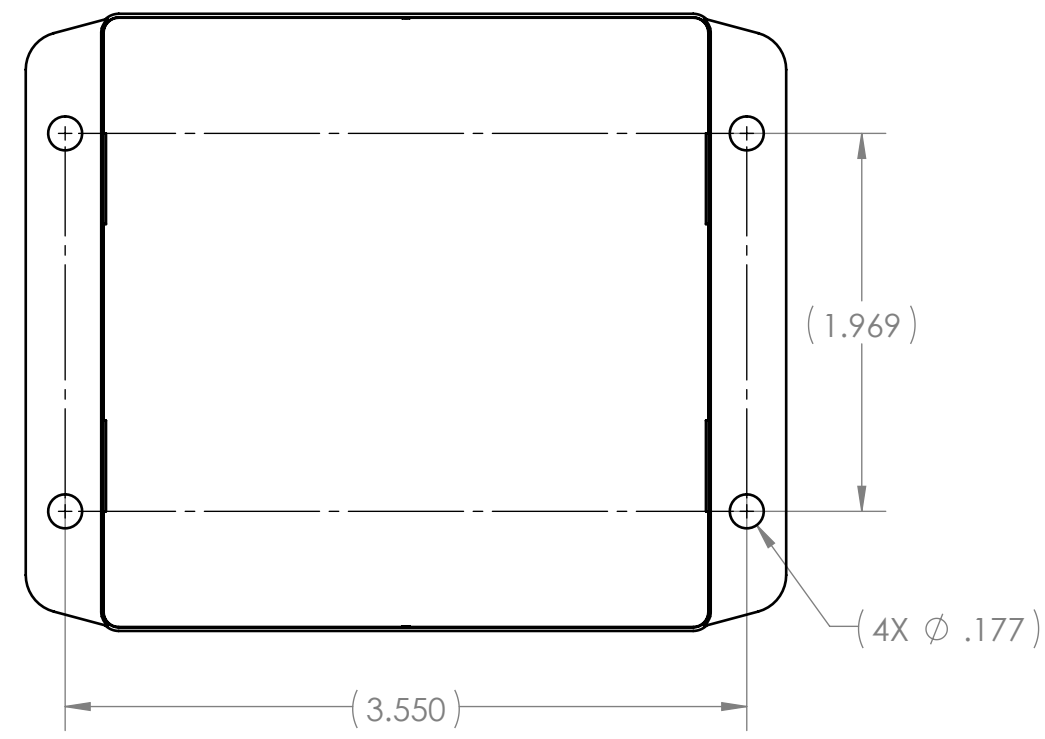


BOM Table							
ITEM NO.	PART NUMBER	Rev.	Description	Material	FlameRating	Color	QTY.
1	SN-30B-01	-	BASE	ABS	UL94-HB	BLACK	1
2	SN-30C-01	-	COVER	ABS	UL94-HB	BLACK	1

D
C
B
A

D
C
B
A



SECTION A-A

REV.	DESCRIPTION	ZONE	BY	APPR'D	DATE
	REVISIONS				

UNLESS OTHERWISE SPECIFIED:
 DIMENSIONS ARE IN: INCHES[mm]
 TOLERANCES: ANGULAR: ±°
 TWO PLACE DECIMAL: ±
 THREE PLACE DECIMAL: ±
 PRINTED GRAPHICS: ±.010

PROPRIETARY AND CONFIDENTIAL
 THE INFORMATION CONTAINED IN THIS
 DRAWING IS THE SOLE PROPERTY OF
 POLYCASE. ANY REPRODUCTION IN PART
 OR AS A WHOLE WITHOUT THE WRITTEN
 PERMISSION OF POLYCASE IS PROHIBITED.
 CAD FILE: SN-30

PART NO. SN-30-01		MATERIAL	
FLAME RATING		SIZE B	REV -
DRAWN	NAME D.M.F.	DATE 6/25/2018	SCALE: 1:1
CHECKED	-	12/31/2999	

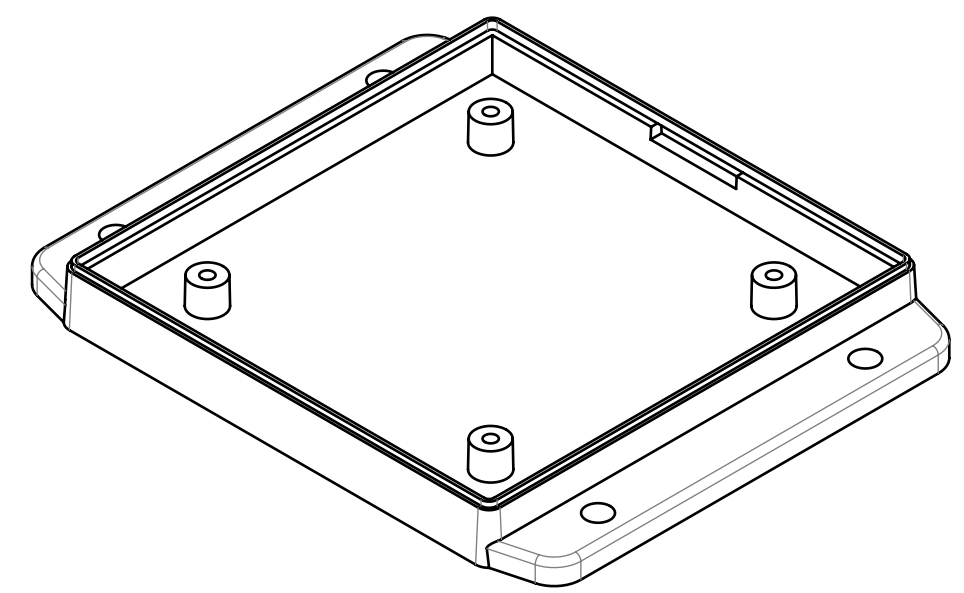
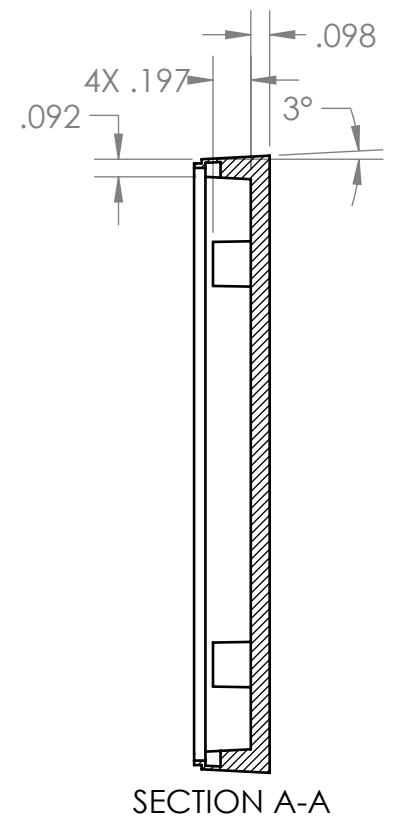
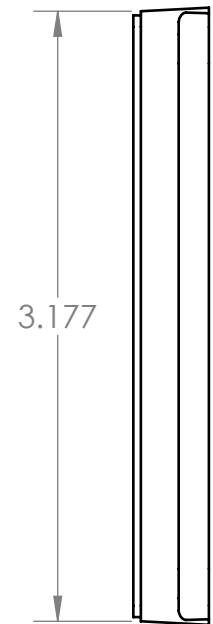
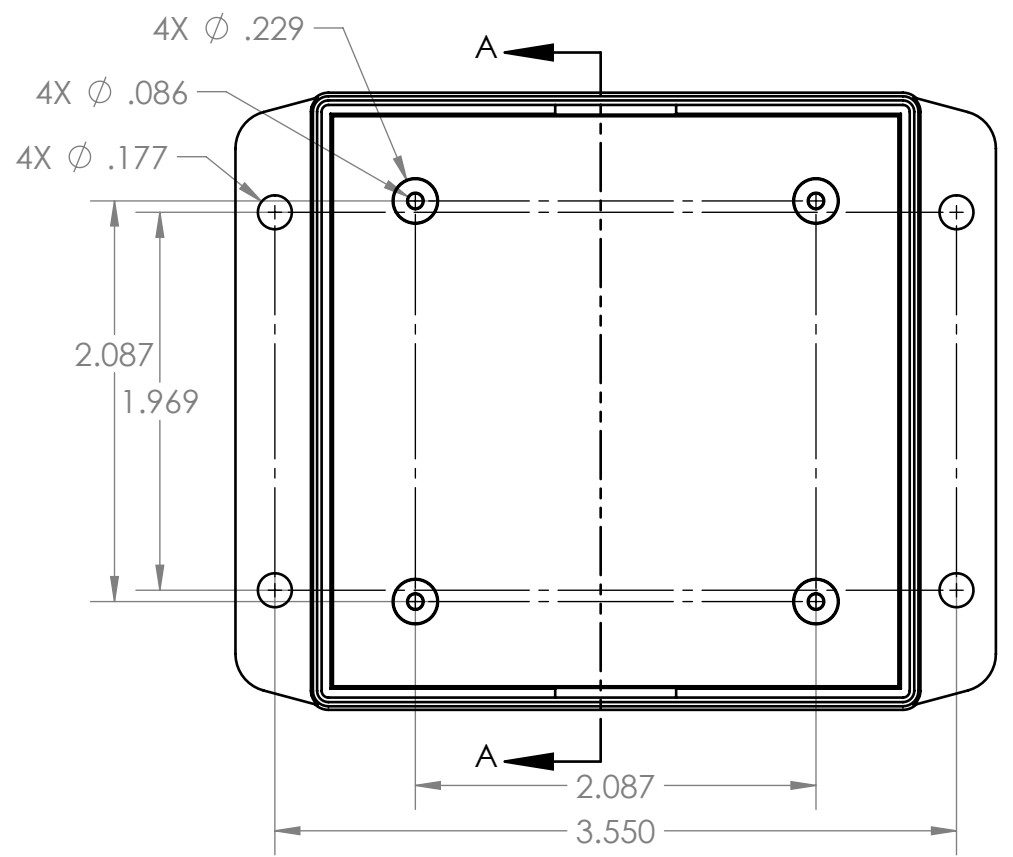
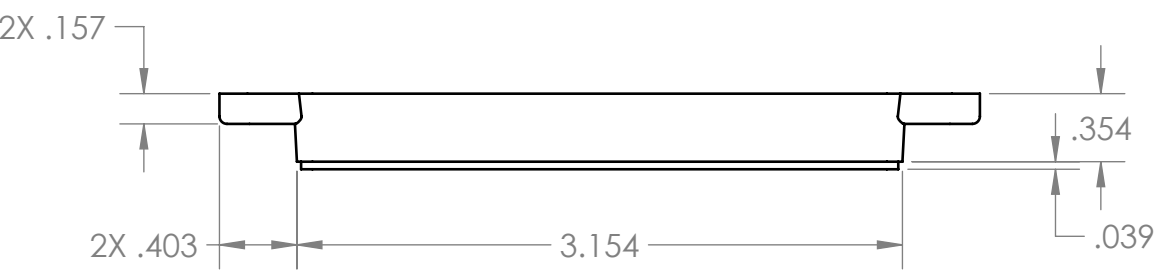
polycase
 1305 CHESTER IND. PARKWAY AVON, OHIO 44011-1083 U.S.A.
 PH#: 1-800-248-1233, 440-934-0444 FAX#: 440-934-0088

⊕

SHEET 1 OF 1

8 7 6 5 4 3 2 1

D
C
B
A



PART NUMBER: SN-30B-01
 MATERIAL: ABS
 COLOR: BLACK
 FLAME RATING: UL94-HB

D
C
B
A

8 7 6 5 4 3 2 1

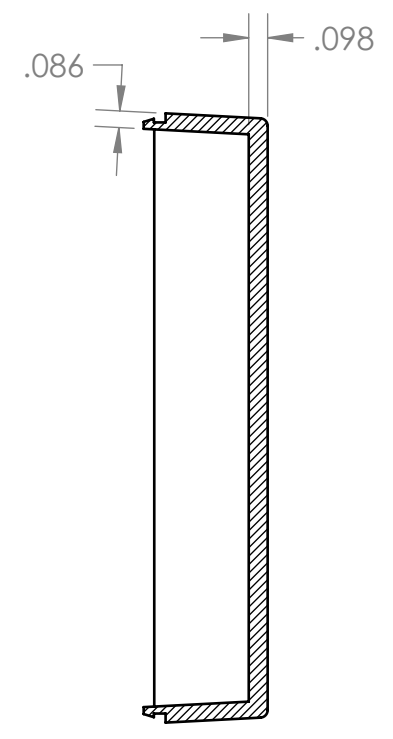
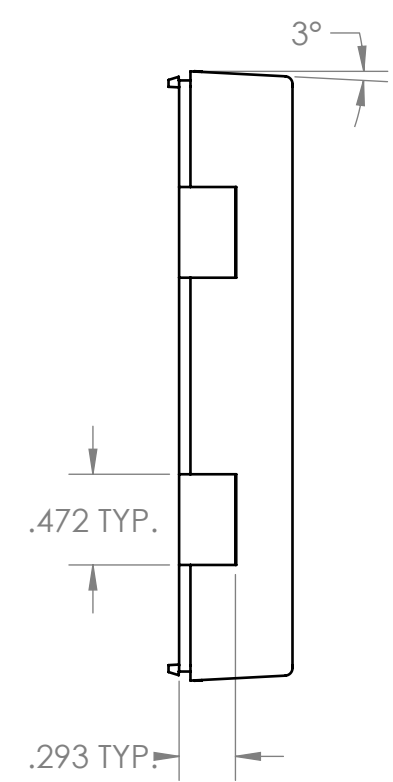
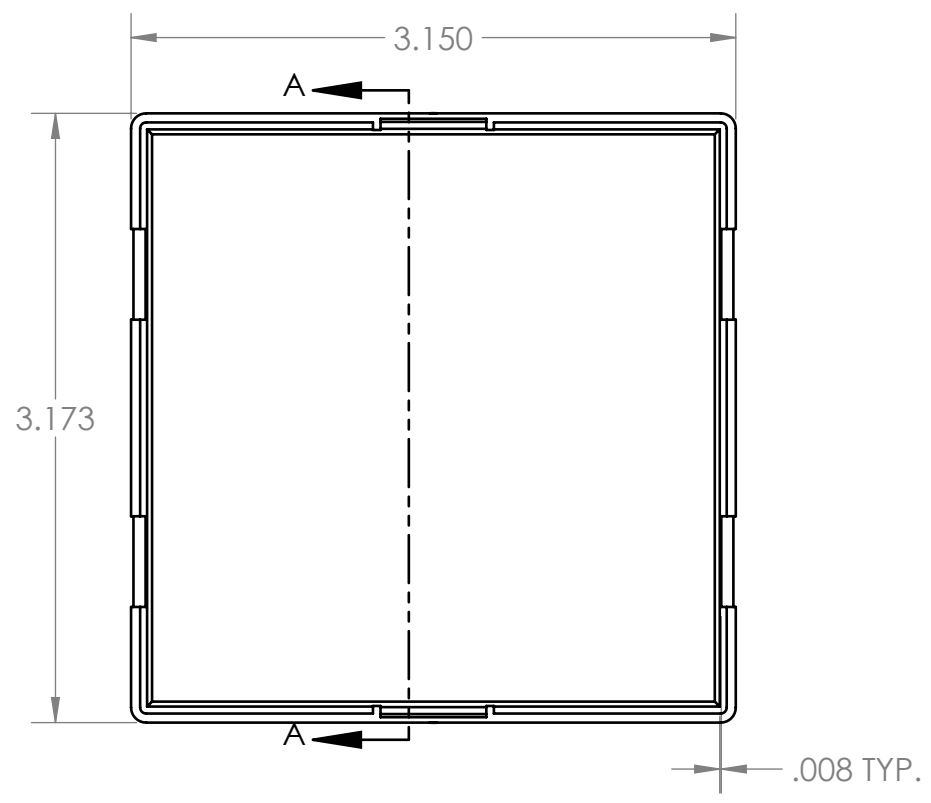
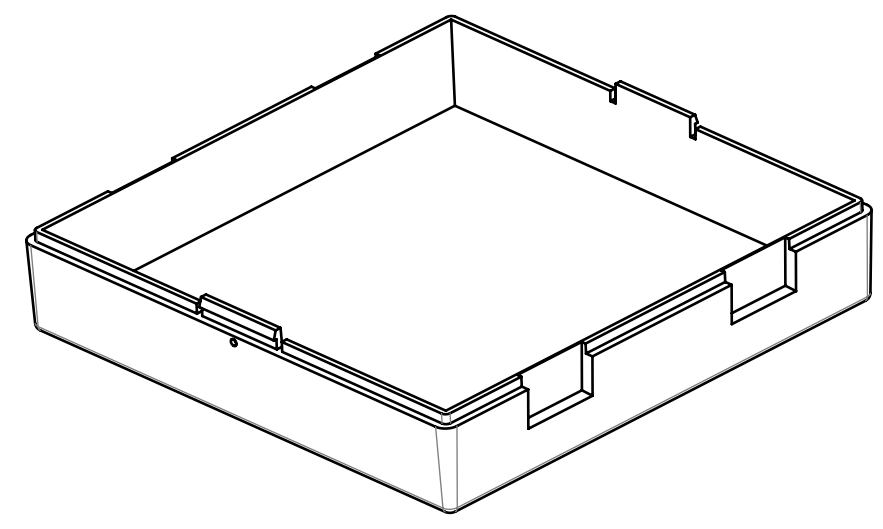
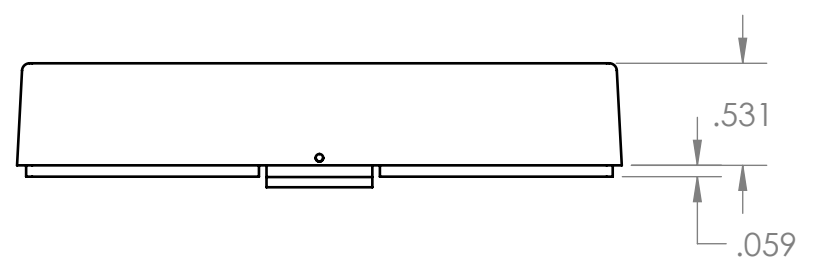
UNLESS OTHERWISE SPECIFIED: DIMENSIONS ARE IN: INCHES[mm] TOLERANCES: ANGULAR: ±.° TWO PLACE DECIMAL: ±. THREE PLACE DECIMAL: ±. PRINTED GRAPHICS: ±.010	PART NO. SN-30B-01		1305 CHESTER IND. PARKWAY AVON, OHIO 44011-1083 U.S.A. PH#: 1-800-248-1233, 440-934-0444 FAX#: 440-934-0088	
	MATERIAL ABS			
	FLAME RATING UL94-HB	SIZE B	BASE	REV -
	PROPRIETARY AND CONFIDENTIAL THE INFORMATION CONTAINED IN THIS DRAWING IS THE SOLE PROPERTY OF POLYCASE. ANY REPRODUCTION IN PART OR AS A WHOLE WITHOUT THE WRITTEN PERMISSION OF POLYCASE IS PROHIBITED. CAD FILE: SN-30B	DRAWN: D.M.F. 6/25/2018 CHECKED: - 12/31/2999	SCALE: 1:1	SHEET 1 OF 1

REV.	DESCRIPTION	ZONE	BY	APPR'D	DATE
REVISIONS					

8 7 6 5 4 3 2 1

D
C
B
A

D
C
B
A



SECTION A-A

PART NUMBER: SN-30C-01
MATERIAL: ABS
COLOR: BLACK
FLAME RATING: UL94-HB

UNLESS OTHERWISE SPECIFIED:
DIMENSIONS ARE IN: INCHES [mm]
TOLERANCES: ANGULAR: ±.°
TWO PLACE DECIMAL: ±.
THREE PLACE DECIMAL: ±.
PRINTED GRAPHICS: ±.010

PROPRIETARY AND CONFIDENTIAL
THE INFORMATION CONTAINED IN THIS
DRAWING IS THE SOLE PROPERTY OF
POLYCASE. ANY REPRODUCTION IN PART
OR AS A WHOLE WITHOUT THE WRITTEN
PERMISSION OF POLYCASE IS PROHIBITED.
CAD FILE: SN-30C

PART NO. SN-30C-01		
MATERIAL ABS		
FLAME RATING UL94-HB		SIZE B
DRAWN	NAME D.M.F.	DATE 6/25/2018
CHECKED	-	12/31/2999

polycase
1305 CHESTER IND. PARKWAY AVON, OHIO 44011-1083 U.S.A.
PH#: 1-800-248-1233, 440-934-0444 FAX#: 440-934-0088

COVER	REV -
SCALE: 1:1	SHEET 1 OF 1

REV.	DESCRIPTION	ZONE	BY	APPR'D	DATE
	REVISIONS				

8 7 6 5 4 3 2 1